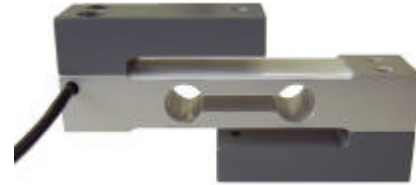


Load Cell Central

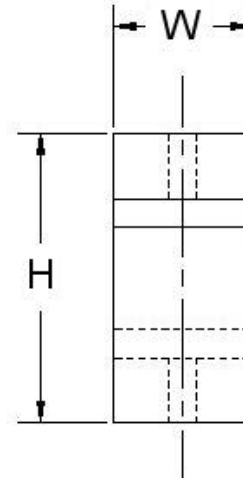
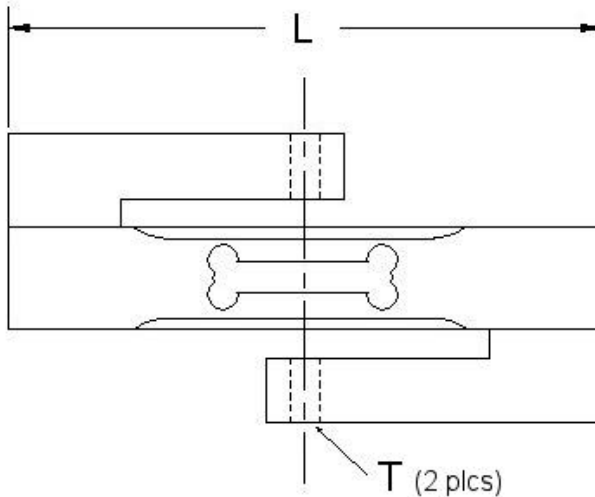
1-800-LOADCEL

Low Capacity Tension & Compression Load Cell Model: Duramount 21 Ranges from 0.3 to 50 Kg



The Duramount 21 universal low capacity load cell weighing assembly is ideal for cost sensitive force measurement applications. Using one of our ESP series load cell we can achieve an accuracy of 0.025% of full scale in either tension or compression. The load cell is built with a short cable for OEM applications or it can be easily optioned with a connector and mate with 5', 10', 25', and 50' of cable.

Capacities: 0.3, 0.6, 1, 3, 5, 6, 8, 10, 15, 20, 30, 35, 40, 50 Kg



CAPACITY (Kg)	L	W	H	T	CABLE LENGTH
0.3/ 0.6/ 1/ 3	2.76"	.47"	1.62"	6-32	15"
5/ 6/ 8/ 10/ 15/ 20/ 30/ 35/ 40/ 50	5.12"	1.18"	2.49"	1/4-28	15"

Load Cell Central follows a policy of continuous improvement and reserves the right to change specifications without notice. © January 2007

Load Cell Central
216 Main St. / PO Box 91
Monroeton, PA 18832
Web: www.800loadcel.com

Toll Free: 1-800-562-3235
Ph: 1-570-265-5015
Fax: 1-570-265-5148
Email: sales@800loadcel.com