

Load Cell Central

1-800-LOADCEL

Moment Compensated Load Cell

Model: GCB3 & GCB3-M

Ranges from 3 to 100 KG



The GCB3 low profile moment compensated load cell is designed for weighing platforms, hanging scales, and many other low to medium capacity scale applications. The GCB3 is constructed of anodized aluminum and is environmentally sealed to IP65. Recommended maximum platform size: 400mm X 400mm (16" x 16").

Dimensions in mm (inches)

Thread, 7 places:

Model: GCB3 1/4-20UNC

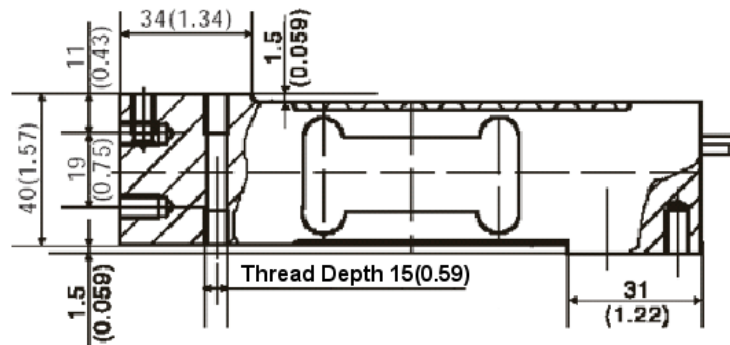
Model: GCB3-M M6

Ordering Guide:

(lbs. capacities also available)

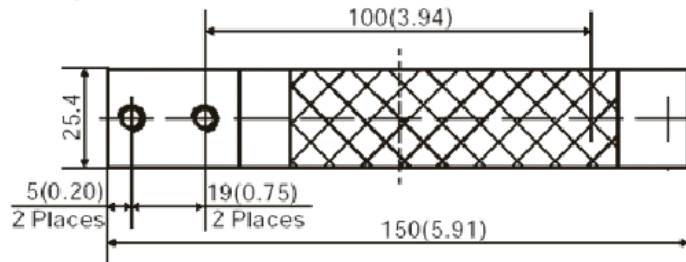
Model: GCB3 (Imperial Thread)

Capacity:	Model#
3 KG	GCB3-3KG
5 KG	GCB3-5KG
8 KG	GCB3-8KG
10 KG	GCB3-10KG
20 KG	GCB3-20KG
30 KG	GCB3-30KG
50 KG	GCB3-50KG
75 KG	GCB3-75KG
100 KG	GCB3-100KG



Model: GCB3-M (Metric Thread)

Capacity:	Model#
3 KG	GCB3-M-3KG
5 KG	GCB3-M-5KG
8 KG	GCB3-M-8KG
10 KG	GCB3-M-10KG
20 KG	GCB3-M-20KG
30 KG	GCB3-M-30KG
50 KG	GCB3-M-50KG
75 KG	GCB3-M-75KG



Wiring Code:

+Excitation: Red	-Excitation: Yellow
+Sense: Brown	-Sense: Black
+Signal: Blue	-Signal: White

Specifications:

Combined Error:	±0.02% FS	Zero Balance:	±2% FS
Rated Output:	2 ±0.2 mV/V	Temp. Effect on Output:	±0.014% FS/10°C
Non-Linearity:	±0.017% FS	Temp. Effect on Zero:	±0.017% FS/10°C
Non-Repeatability:	±0.01% FS	Compensated Temp.:	-10 to 40°C
Creep (30min.)	±0.02% FS	Operating Temp.:	-35 to 65°C
Input Resistance:	409 ±6 Ohms	Recommended Excitation:	10Vdc
Output Resistance:	350 ±3 Ohms	Safe Overload:	150% FS
Insulation Resistance MegOhm:	≥5,000 (50Vdc)	Ultimate Overload:	200% FS
Off Center Load Error (per OIML R76)	±0.02%	Cable Length:	9.8' (3 meters)

Load Cell Central
216 Main St. / PO Box 91
Monroeton, PA 18832
Web: www.800loadcel.com

Toll Free: 1-800-562-3235
Ph: 1-570-265-5015
Fax: 1-570-265-5148
Email: sales@800loadcel.com