

Load Cell Central

1-800-LOADCEL

Model: LPSWC-B Compression Only Shear Web Load Cell

FEATURES

- Compact Size
- Low Height
- Guaranteed Off-Center Load Sensitivity and Moment Error Performance
- Low Creep
- Low Susceptibility to Magnetic Fields
- Counterbored Mounting Holes (w/out Base)
- Output to 4mV/V
- Integral Compression Interface (above 10K)



SPECIFICATIONS

PARAMETERS	Model: LPSWC-B CAPACITY (lbf)				
	300, 500, 1K, 2K	5K, 10K	25K, 50K	100K	200K
Accuracy					
Static Error Band, % R.O.	+/- .03	+/- .04	+/- .04	+/- .04	+/- .05
Nonlinearity, % R.O.	+/- .03	+/- .04	+/- .05	+/- .05	+/- .05
Hysteresis, % R.O.	+/- .03	+/- .04	+/- .05	+/- .05	+/- .05
Nonrepeatability, % R.O.	+/- .01	+/- .01	+/- .01	+/- .01	+/- .01
Creep, % in 20 minutes	+/- .025	+/- .025	+/- .025	+/- .025	+/- .025
Off-Center Load Sensitivity, %/inch	+/- .25	+/- .25	+/- .25	+/- .25	+/- .25
Side Load Sensitivity, %	+/- .25	+/- .25	+/- .25	+/- .25	+/- .25
Zero Balance, % R.O.	+/- 1.0	+/- 1.0	+/- 1.0	+/- 1.0	+/- 1.0
Temperature					
Range, Compensated, °F	+15 to +115	+15 to +115	+15 to +115	+15 to +115	+15 to +115
Range, Operating, °F	-65 to +200	-65 to +200	-65 to +200	-65 to +200	-65 to +200
Effect on Sensitivity, % Rdg/100°F	+/- .08	+/- .08	+/- .08	+/- .08	+/- .08
Effect on Zero, % R.O./100°F	+/- .15	+/- .15	+/- .15	+/- .15	+/- .15
Electrical					
Rated Output, mV/V, Nominal	2.0	4.0	4.0	4.0	4.0
Excitation Voltage, VDC	10	10	10	10	10
Input Resistance, Ohms	350	350	350	350	350
Output Resistance, Ohms	350	350	350	350	350
Insulation Resistance, Megohm	5000	5000	5000	5000	5000
Mechanical					
Safe Overload Range, % R.O.	+/- 150	+/- 150	+/- 150	+/- 150	+/- 150
Weight (lbs.)	1.1	3.1	5.1	9	33
Weight w/base (lbs.)	2.6	6.7	11	21	70
Flexure Material	Aluminum	Steel	Steel	Steel	Steel

Load Cell Central
 216 Main St. / PO Box 91
 Monroeton, PA 18832
 Web: www.800loadcel.com

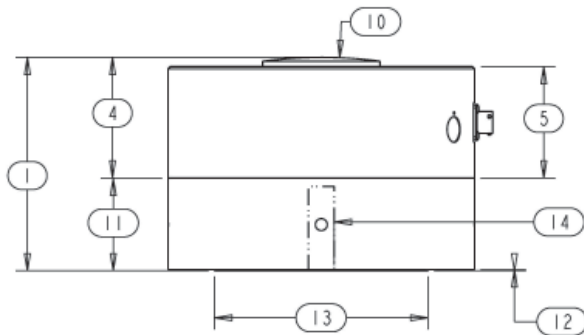
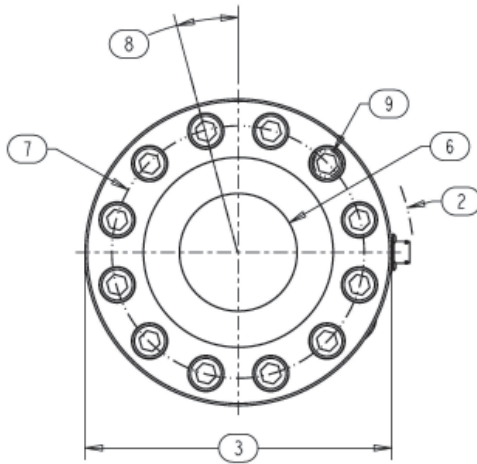
Toll Free: 1-800-562-3235
 Ph: 1-570-265-5015
 Fax: 1-570-265-5148
 Email: sales@800loadcel.com

Load Cell Central

1-800-LOADCEL

DIMENSIONS

Review Drawing (in inches)	Model: LPSWC-B			
	300, 500, 1K 2K, 5K, 10K	CAPACITY (lbf)		
		25K, 50K	100K	200K
1. Height Total	See model: LPSW-B	3.00	4.49	5.75
2. Max. Clearance Radius	Add Compatible	2.84	3.51	4.61
3. Cell and Base Diameter	Load Button	4.75	6.06	8.25
4. Cell Height to Button		1.75	2.50	3.25
5. Cell Body Height		1.63	2.25	3.00
6. Compression Button Diameter		1.56	2.58	3.16
7. Mounting B.C. Diameter		4.00	5.13	6.75
8. Symmetric B.C. Offset	45 Degrees		15 Degrees	15 Degrees
9. Mounting Hole Dia. (w/out Base)	C'Bore for 5/16-24		C'Bore for 3/8-24	C'Bore for 5/8-18
10. Comp. Button Sph. Radius	6	8	12	
11. Base Thickness	1.25	2.00	2.50	
12. Base Step Height	.03	.03	.03	
13. Base Step Diameter	3.38	4.38	5.75	
14. Base Thread	1/2- 20, 1.00 Dp.	3/4-16, 2.25 Dp.	3/4 - 16, 2.25 Dp.	



OPTIONS

- Additional bridges
- Output adjustment to standard
- Compression overload protection
- Integral cable
- Custom connectors
- Connector guard

ACCESSORIES

- Mating connector
- Loading fixtures
- Interconnect cable
- Shunt calibration resistor
- Instrumentation