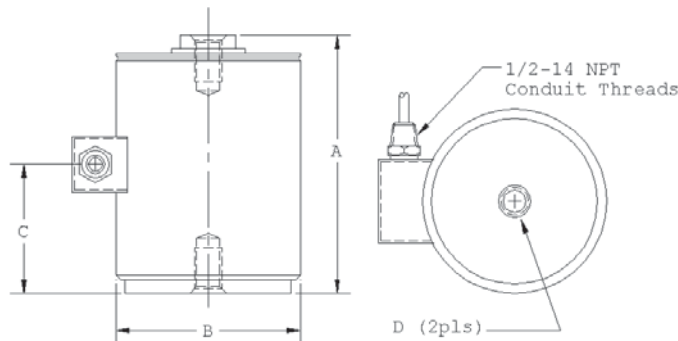


Load Cell Central

1-800-LOADCEL

Model: UCLD Tension/Compression Canister Stainless Steel & Hermetically Sealed Load Cell



RATED CAPACITY	DIMENSIONS			
	A	B	C	D
250	4.44	2.50	1.25	3/8-24 UNF x 0.38 deep
500 - 1K	4.44	2.50	1.25	1/2-20 UNF x 0.50 deep
2.5K	3.00	2.25	1.12	1/2-20 UNF x 0.50 deep
5K - 10K	5.75	3.00	1.50	1-14 UNS x 1.25 deep
25K	8.38	4.00	2.00	1-1/2-12 UNF x 1.75 deep
50K	11.44	6.25	3.12	2-12 UN x 2.25 deep
100K	17.75	9.00	4.50	3-8 UN x 3.50 deep

SPECIFICATIONS:

Full Scale Output	3.0 mV/V	Insulation Resistance:	5000 megohms
Bridge Resistance:	350 ohms, nominal	Seal Type:	Hermetically sealed
Material/Finish:	Stainless steel	Cable Length:	50' Standard Cable
Temperature:	Compensated range +14F TO 104F / -10C TO 40C	Cable Color Code:	Green.....+ Excitation Black.....- Excitation White..... + Signal Red..... - Signal
Safe Overload:	150% Full Scale		
Rated Excitation:	10V AC/DC (15V maximum)		
Combined Error:	0.05% Full Scale		

Load Cell Central follows a policy of continuous improvement and reserves the right to change specifications without notice. © 2008

Load Cell Central
216 Main St. / PO Box 91
Monroeton, PA 18832
Web: www.800loadcel.com

Toll Free: 1-800-562-3235
Ph: 1-570-265-5015
Fax: 1-570-265-5148
Email: sales@800loadcel.com