



T24-AO1/i

Wireless Analogue Output Receiver Module



Introduction

The T24-AO1 Receiver converts data from a T24 wireless transmitter module into an analogue output and forms part of the T24 modular telemetry system. Data from any of the T24 range of transmitters can be used.

The data sent by transmitter modules can be utilised by multiple receivers such as displays, handheld readers, analogue outputs, relay modules and computer interfaces. Receivers support common industrial power supplies and are available in robust IP rated enclosures with internal antennas optimised to give outstanding coverage.

The T24-AO1 offers, as standard, a user choice of analogue outputs; 0-10 V, 4-20 mA, 0-20 mA, ± 10 V, ± 5 V. A choice of a desktop enclosure or an IP67 sealed enclosure allows selection of a module to suit your individual application. The T24 Toolkit offers a fast and simple way to configure the analogue output scaled from any engineering unit input.

Product Features

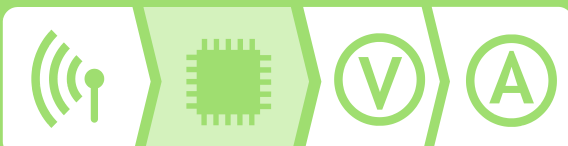
- Provide analogue output for T24 acquisition modules
- One to one transmission up to 2000 updates per second (dependant on acquisition module)
- Industrial & desktop versions available

T24 System Overview



T24 Wireless Telemetry Sensor System is a modular wireless solution for industrial sensor applications.

High accuracy, high quality measurement is interfaced with simple yet powerful configuration and monitoring software.



Specifications

Voltage Output Specifications

Voltage ranges	0-5 V, 0-10 V, ± 5 V, ± 10 V
Resolution / Bits	65,000/16
Output gain stability (max)	± 0.015 % FS / $^{\circ}$ C
Output zero stability (max)	± 0.015 % FS / $^{\circ}$ C
Linearity (max)	± 0.01 % FS
Minimum load impedance	5000 Ω

Current Output Specifications

Current ranges	4-20 mA, 0-20 mA sink & source
Resolution / Bits	65,000/16
Output gain stability (max)	± 0.03 % FS / $^{\circ}$ C
Output zero stability (max)	± 0.02 % FS / $^{\circ}$ C
Linearity (max)	± 0.02 % FS
Maximum load impedance	500 Ω

Power Supply

Power supply voltage	9 to 32 Vdc
Operational current	100 mA (typical)

Radio

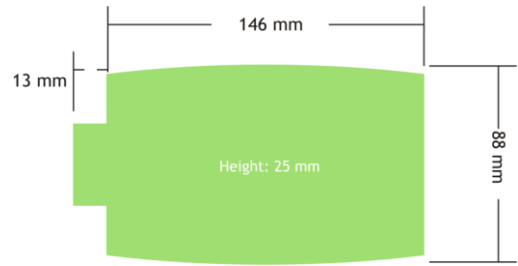
Radio type	Licence exempt transceiver
Radio frequency	2.4 GHz
Transmit power	10 mW
T24-AO1 Range	Up to 500 m
T24-AO1i Range	Up to 800 m

Environmental

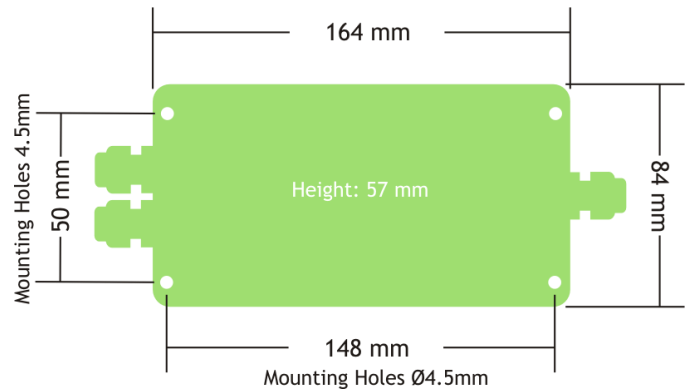
Operating temperature range	-20 to 55 $^{\circ}$ C
Storage temperature range (no batteries)	-40 to 85 $^{\circ}$ C
Maximum humidity	95% non-condensing
T24-AO1 IP rating	IP50
T24-AO1i IP rating	IP67/Nema4

Mechanical

AO1



AO1i



Electrical



Order Codes

T24-AO1

Wireless analogue output receiver module in a desktop IP50 enclosure

T24-AO1i

Wireless analogue output receiver module in IP67 enclosure

