



T24-AR

## Wireless Repeater Module



### Introduction

The T24-AR is a repeater which will allow the T24 telemetry system modules to span around obstacles, increase range and coverage by retransmitting received messages.

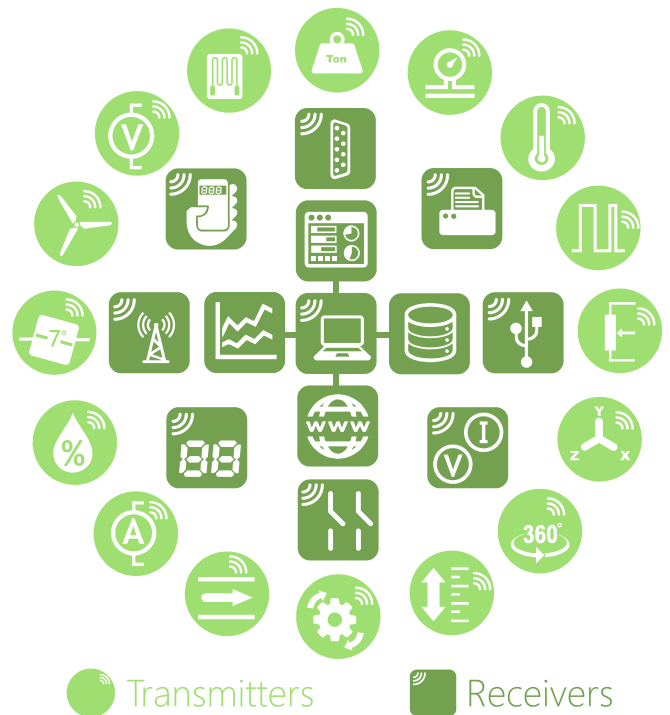
The data sent by transmitter modules can be utilised by multiple receivers such as displays, handheld readers, analogue outputs, relay modules and computer interfaces. Receivers support common industrial power supplies and are available in robust IP rated enclosures with internal antennas optimised to give outstanding coverage.

The T24-AR is housed in an IP67 rated enclosure which accepts two D batteries as well as an external power supply. The repeater enables messages to be repeated **once** so therefore extends the achievable wireless range. Adding further repeaters to the system will increase coverage but will not further increase the range.

### Product Features

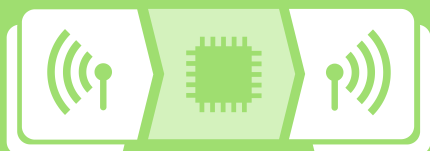
- Extends and enhances range of T24 devices
- Allows communication around obstacles
- Improves propagation of signal

### T24 System Overview



T24 Wireless Telemetry Sensor System is a modular wireless solution for industrial sensor applications.

High accuracy, high quality measurement is interfaced with simple yet powerful configuration and monitoring software.



## Specifications

### Battery Life

**Pair DD Cells. AR permanently activated** 240 hours

### Power Supply

**Internal batteries (D cells)** 2.1 to 3.6 Vdc

**External power supply** 5 to 18 Vdc

### Radio

**Radio type** Licence exempt transceiver

**Radio frequency** 2.4 GHz

**Transmit power** 10 mW

**Range** Up to 800 m

### Environmental

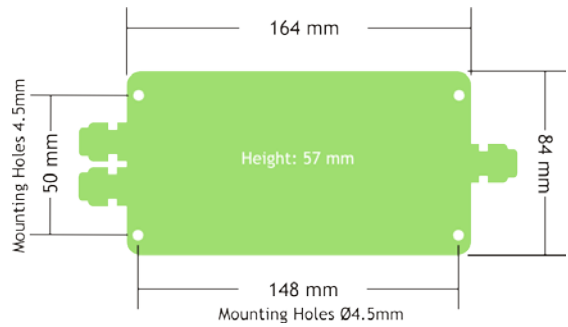
**Operating temperature range** -20 to 55 °C

**Storage temperature range (no batteries)** -40 to 85 °C

**Maximum humidity** 95% non-condensing

**IP rating (ACM and ACMi)** IP67/Nema4

## Mechanical



## Electrical



## Order Codes

### T24-AR

Wireless repeater module



ETSI

FC

CE



Industry Canada  
Industrie Canada