

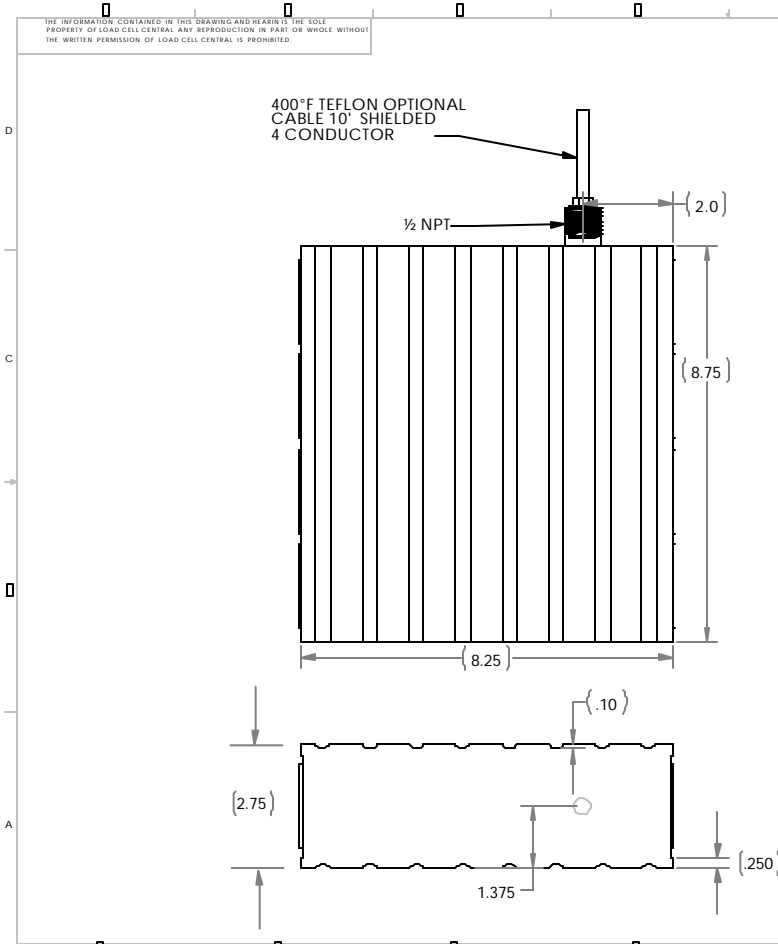
# Load Cell Central

1-800-LOADCEL

THE INFORMATION CONTAINED IN THIS DRAWING AND HEREIN IS THE SOLE PROPERTY OF LOAD CELL CENTRAL. ANY REPRODUCTION IN PART OR WHOLE WITHOUT THE WRITTEN PERMISSION OF LOAD CELL CENTRAL IS PROHIBITED.

REV.	DESCRIPTION	DATE	APPROVED
1	CHANGED HEYCO TO TEFLON CABLE ASSEMBLY	8/27/01	JS
2	CHANGED BRIDGE OHM TO 2100 FROM 1400	9/11/01	BSA

EXC. VOLTAGE: 10-15 VDC or VAC  
 OUTPUT: 2 mV/V NOM.  
 TEMPERATURE RANGE: 10 to 400 °F  
 BRIDGE RESISTANCE: 2100 OHMS NOM.  
 INSULATION RESISTANCE: 5000 MEGOHMS MIN.  
 LINEARITY: 0.5% F.S.  
 REPEATABILITY: 0.1% F.S.  
 MAX. LOAD SAFE: 150% OF RATED CAP.  
 MAX. LOAD ULTIMATE: 300% OF RATED CAP.  
 CAPACITY: 700,000 LB  
 CONSTRUCTION: STAINLESS, HERMETIC



WIRE CODE  
 +EXC:GREEN  
 -EXC:BLACK  
 +SIG:WHITE  
 -SIG:RED

UNLESS OTHERWISE SPECIFIED DIMENSIONS ARE IN INCHES TOLERANCES ARE:		Load Cell Central 1-800-562-3235	
FRACTIONS	DECIMALS	ANGLES	
±1/64	±.005	±.1°	
±.0005			
STOCK SIZE	MATERIAL	DATE	216 Main St. Monroeton, PA 18832
		6/29/01	2 3/4 X 8 1/4 X 8 3/4
			700K to 1,000K
			Model: LCC-BTMN
		6/29/01	1100464
			SW MODEL FILE
DO NOT SCALE DRAWING			

Load Cell Central follows a policy of continuous improvement and reserves the right to change specifications without notice. © 2008

Load Cell Central  
 216 Main St. / PO Box 91  
 Monroeton, PA 18832  
 Web: [www.800loadcel.com](http://www.800loadcel.com)

Toll Free: 1-800-562-3235  
 Ph: 1-570-265-5015  
 Fax: 1-570-265-5148  
 Email: [sales@800loadcel.com](mailto:sales@800loadcel.com)