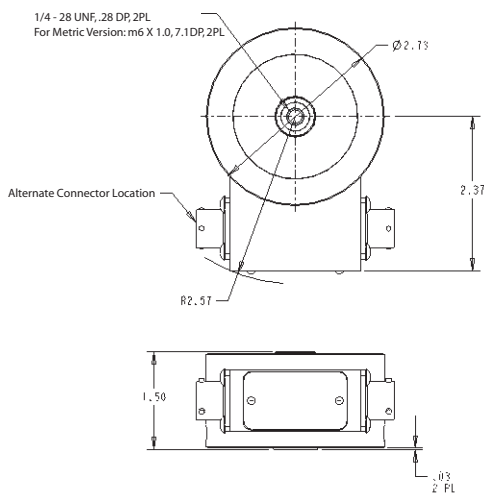


FATIGUE RATED LOAD CELL MODEL: LCC-CMP

FEATURES

- Fatigue Rated
- Small Scale
- Sealed
- Static Error Band .05%
- In-line Loading Holes



OPTIONS

- Additional bridges
- Output adjustment to standard value
- Compression overload protection
- Integral cable
- Custom connectors

ACCESSORIES

- Mating connector
- Loading fixtures
- Interconnect cable
- Shunt calibration resistor
- Instrumentation

SPECIFICATIONS

PARAMETERS	MODEL LCC-CMP CAPACITY (lbf) 50, 100, 300
Non-Repeatability, % R.O.	+/- 0.01
Static Error Band, % R.O.	+/- 0.05
Non linearity, % R.O..	+/- 0.05
Hysteresis, % R.O.	+/- 0.05
Creep, % Reading in 20 Minutes	+/- 0.05
Zero Balance, % R.O.	+/- 1.0
Temperature	
Range, Compensated, °F	+15 to +115
Range, Operating, °F	-65 to +200
Effect on Sensitivity, % Rdg/100 °F	0.20
Effect on Zero, %R.O./100 °F	0.15
Electrical	
Excitation Voltage, Recommended, Vdc	10
Input resistance, Ohms	700 +80/-7
Output Resistance, Ohms	700 +80/-7
Sensitivity (Rated Output), mV/V, Nominal	2
Insulation Resist., Bridge/Case, Meg Ohm	5000 (@ 50 VDC)
Mechanical	
Safe Overload Range, % R.O.	150
Weight (lbs.)	.8
Flexure Material	Aluminum

Load Cell Central follows a policy of continuous improvement and reserves the right to change specifications without notice. © 2008

Load Cell Central
216 Main St. / PO Box 91
Monroeton, PA 18832
Web: www.800loadcel.com

Toll Free: 1-800-562-3235
Ph: 1-570-265-5015
Fax: 1-570-265-5148
Email: sales@800loadcel.com