

# PRECISION MINIATURE LOAD CELL

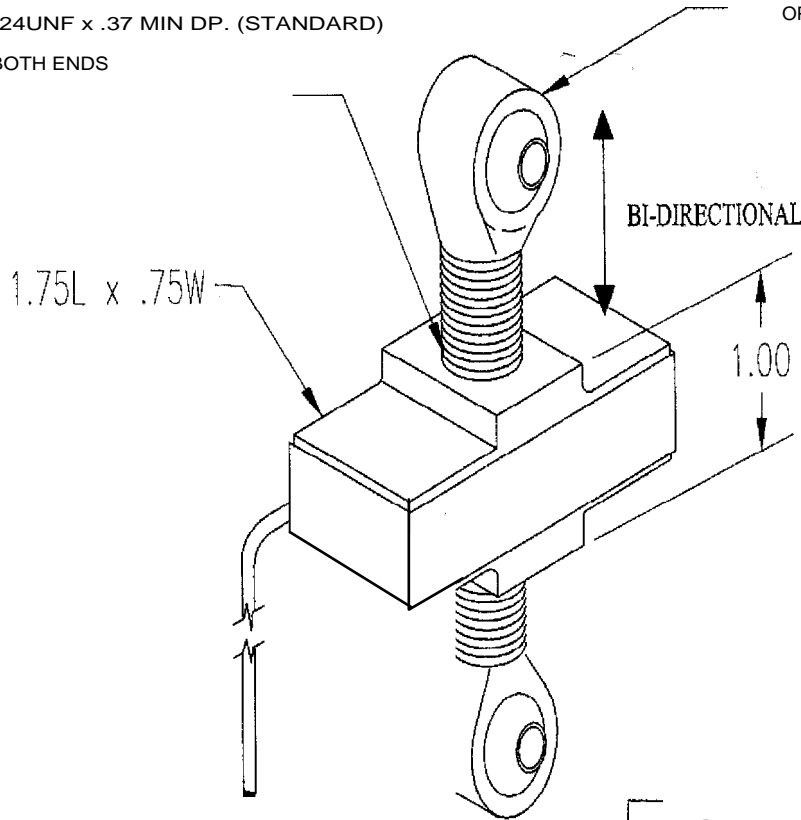
## UNIVERSAL: TENSION AND COMPRESSION

### MODEL LCC-CTD1-300

*CAPACITY: 300 Pounds*

5/16-24UNF x .37 MIN DP. (STANDARD)  
TYP BOTH ENDS

OPTIONAL ROD ENDS FOR  
TENSION APPLICATIONS



ELECTRICAL CABLE 30 AWG  
4 CONDUCTOR x 10 FEET

LOAD CELL CENTRAL  
216 MAIN ST.  
MONROETON, PA 18832

**TYPICAL APPLICATIONS**

MINIATURE UNIVERSAL TENSION AND COMPRESSION LOAD CELL WITH HIGH ACCURACY YET LOW COST, IDEAL FOR MEDICAL HAND & JOINT STRENGTH DYNOMGRAPHS, ADHESIVE BOND STRENGTH TESTING MACHINES, DIGITAL DUROMETER AND MORE.

### *SPECIFICATION*

<b>OUTPUT:</b> .....	2.0 mV/V Nominal
<b>NON-LINEARITY:</b> .....	.05 %F .S.O
<b>HYSTERESIS:</b> .....	.05 %FS
<b>ZERO BALANCE:</b> .....	+/- 1.5%
<b>COMP. TEMP. RANGE:</b> .....	0 to 150 F
<b>SAFE TEMP. RANGE:</b> .....	-40 to 180 F
<b>TEMP. EFFECT. ON OUTPUT:</b> .....	0.0007% /°F
<b>TEMP. EFFECT ON ZERO:</b> .....	0.0013% /F
<b>TERMINAL RESISTANCE:</b> .....	350 OHM Nominal
<b>EXCITATION VOLTAGE:</b> .....	10 VDC
<b>SAFE OVERLOAD:</b> .....	150%

OPTIONS: OPERATING TEMP., CABLE LENGTH  
SS. ARMORED CABLE, TEFLON CABLE, CALIBRATION,  
MIL-STD 45662, OTHER OPTIONS OR VARIATIONS AVAILABLE.

**SAFETY CONSIDERATIONS:**

Always use load cells below the specified load rating. Load applied must be in the primary load axis. Extraneous loads or compound stress must be avoided. De-rate load cell maximum load or supply safety hardware where failure could cause injury or damage, (I.E. safety chains, safety rods etc.) Do not jerk load or apply load at high rate of speed. Inspect routinely for damage excessive wear or corrosion, replace if found. Consult a qualified engineer prior to use.

## LOAD CELL CENTRAL

## 1-800-562-3235

Ph: 1-570-265-5015 Fax: 1-570-265-5148

Please visit us at <http://800LOADCEL.COM>