

Load Cell Central

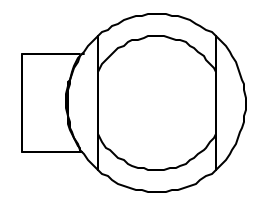
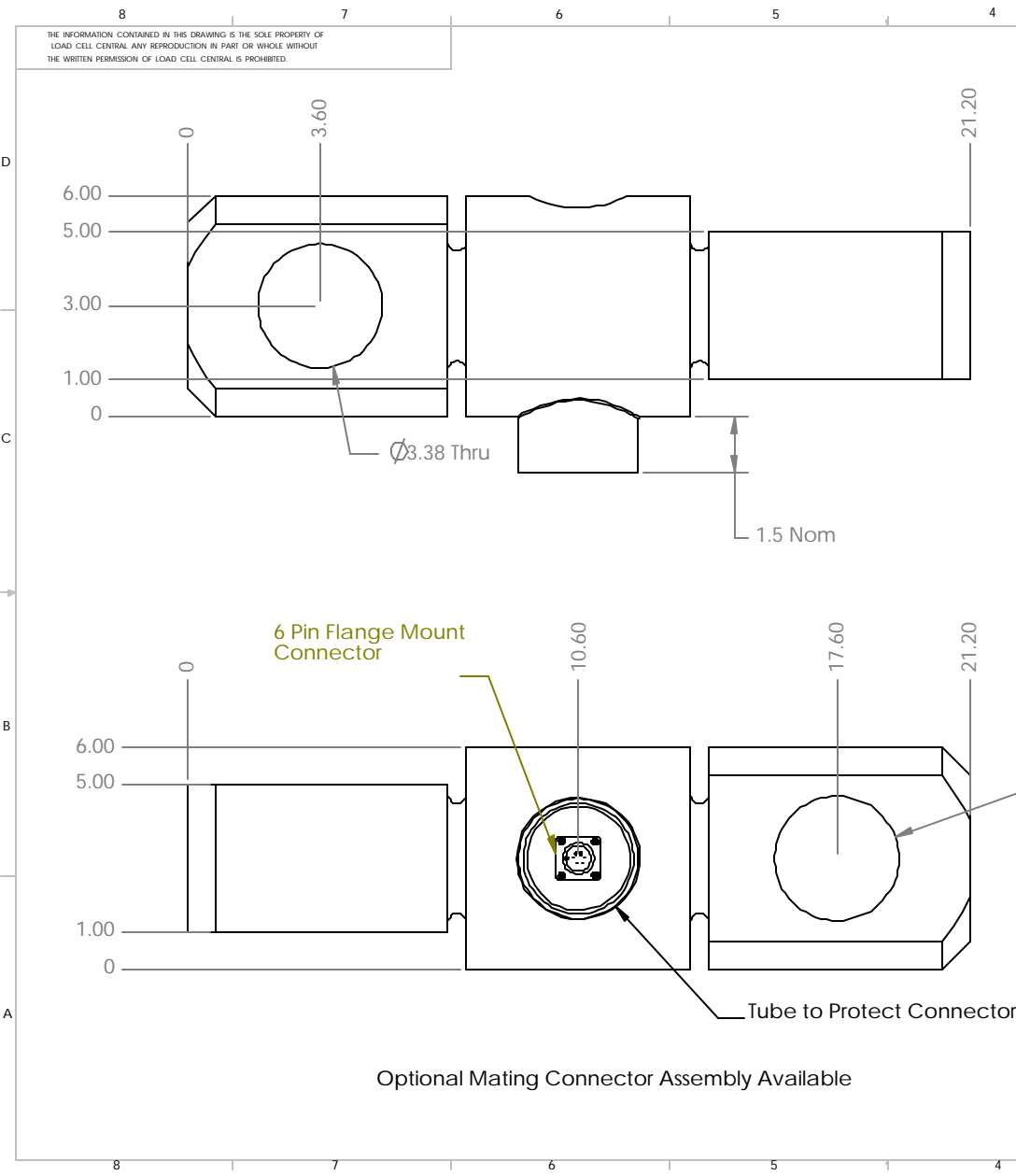
1-800-LOADCEL

THE INFORMATION CONTAINED IN THIS DRAWING IS THE SOLE PROPERTY OF LOAD CELL CENTRAL. ANY REPRODUCTION IN PART OR WHOLE WITHOUT THE WRITTEN PERMISSION OF LOAD CELL CENTRAL IS PROHIBITED.

REVISIONS			
REV.	DESCRIPTION	DATE	APPROVED

CAPACITY: 200K - 300K LB
CONSTRUCTION: STAINLESS STEEL, HERMETIC
EXC. VOLTAGE: 10-15 VDC or VAC
OUTPUT: 3 mV/V Nom.
TEMPERATURE RANGE: 10 to 120 °F
BRIDGE RESISTANCE: 350 OHMS +/- 1%
INSULATION RESISTANCE: 5000 MEGOHMS MIN.
ZERO BALANCE: ± 0.1% F.S.
LINEARITY: ± 0.05% F.S.
REPEATABILITY: ± 0.03% F.S.
MAX. LOAD SAFE: 150% OF RATED CAP.
MAX. LOAD ULTIMATE: 300% OF RATED CAP.

Pin	Output
A	-Signal
B	+Signal
C	-Exc
D	+Exc
E	+Sense
F	-Sense



Optional Mating Connector Assembly Available

UNLESS OTHERWISE SPECIFIED DIMENSIONS ARE IN INCHES TOLERANCES ARE:		CAD GENERATED DRAWING. DO NOT MANUALLY UPDATE		LOAD CELL CENTRAL 1-800-562-3235 216 Main St. Monroeton, PA 18832	
FRACTIONS ±1/64	DECIMALS .0005	ANGLES ±	APPROVALS DRAWN TC	DATE 10/17/03	DCL3-S6-200K to 300K LB Tension Link 3 mV/V Ø 3.38" Integral Eyes
MATERIAL Various	FINISH SB	MFG ENG	CHECKED BSA	DATE 10/6/03	
STOCK SIZE	USED ON	HEAT TREAT N/A	OTHER	SIZE DWG. FILE 1200887-C	REV. MOD. FILE 1200887
APPLICATION DO NOT SCALE DRAWING				SCALE	SHEET 2 OF 4

Load Cell Central follows a policy of continuous improvement and reserves the right to change specifications without notice. © 2008

Load Cell Central
 216 Main St. / PO Box 91
 Monroeton, PA 18832
 Web: www.800loadcel.com

Toll Free: 1-800-562-3235
 Ph: 1-570-265-5015
 Fax: 1-570-265-5148
 Email: sales@800loadcel.com