

# Load Cell Central

1-800-LOADCEL

## Model: DLWS

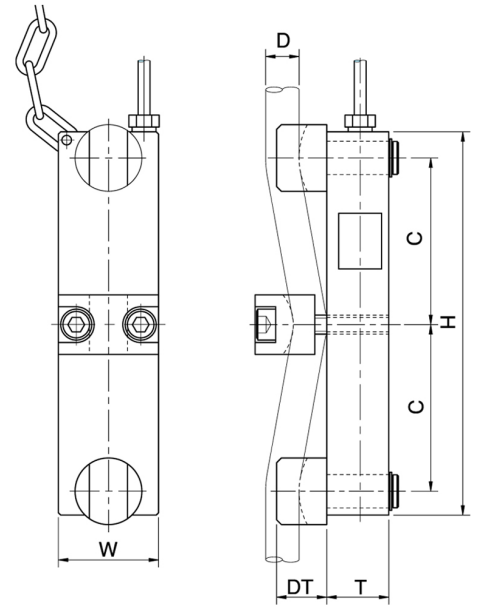
Specifically designed for protecting cranes from overload and for measuring wire rope tension. (500 kg – 10t / rope)

In many industrial and marine applications the tension in wire rope must be carefully and continuously monitored. In some designs, load cells have been placed in series with the cable, either at a point along its length or more commonly between the end of the rope and the fixture. The DLWS is a superb tension monitoring solution for both new and existing installations. For existing systems, the singular beauty of the DLWS is in its straightforward, trouble-free installation without the need to interrupt the cable integrity or add linkage hardware. Moreover, if it should become necessary to remove the load cell for service, or to adjust its position along the cable, simply loosen or remove the two center bolts.

## Specifications:

|  |   |
|--|---|
| Rated Capacity                         | 500 kg, 1, 1.5, 2.5, 4, 8, 10 t / rope  |
| Rated Output                           | Approx. 1.0 mV / V                      |
| Nonlinearity                           | ≤ 1.0% RO                               |
| Hysteresis                             | ≤ 1.0% RO                               |
| Non-repeatability                      | ≤ 1.0% RO                               |
| Creep error                            | ≤ 1.0% in 20 min                        |
| Zero balance                           | ≤ 1.0% RO                               |
| Compensated temperature range          | -10 – 70 °C                             |
| Operating temperature range            | -20 – 80 °C                             |
| Temp. effect on rated output           | ± 0.05% load / 10 °C                    |
| Temp. effect on zero balance           | ± 0.05% RO / 10 °C                      |
| Terminal input resistance              | 350 Ω ± 3.5 Ω                           |
| Terminal output resistance             | 350 Ω ± 3.5 Ω                           |
| Recommended excitation                 | 10 V (recommended), 15 V (max)          |
| Electrical connection (integral cable) | Ø 7 mm x 3 m (22awg x 4; core shielded) |
| Protection class                       | Meets IP64                              |
| Safe overload                          | 200% RC                                 |
| Ultimate overload                      | 400% RC                                 |

| Rated Capacity (t) | Dimensions (mm) |      |     |    |    | Ø D wire rope | Item weight (kg) |
|--------------------|-----------------|------|-----|----|----|---------------|------------------|
|                    | C               | DT   | H   | T  | W  |               |                  |
| 0.5, 1             | 60              | 15.5 | 140 | 20 | 34 | 6 – 8         | 1.0              |
| 1.5                | 70              | 21   | 160 | 26 | 42 | 10 – 14       | 1.9              |
| 2.5                | 75              | 25   | 180 | 32 | 50 | 14 – 20       | 2.9              |
| 4                  | 90              | 35   | 210 | 32 | 62 | 18 – 28       | 5.2              |
| 8, 10              | 100             | 45   | 260 | 44 | 88 | 25 – 35.5     | 12.0             |



### ORDERING INFORMATION

DLWS - 10 t

Model DLWS Capacity 500 kg, 1, 1.5, 2.5, 4, 8, 10 t / rope

### WIRING INFORMATION

• RED : EXC. (+)  
 • GREEN : SIG. (+)  
 • WHITE : EXC. (-)  
 • BLUE : SIG. (-)  
 • BARE : GND.

Load Cell Central follows a policy of continuous improvement and reserves the right to change specifications without notice. © 2016

Load Cell Central  
28175 Route 220  
Milan, PA 18831

Web: [www.800loadcel.com](http://www.800loadcel.com)  
Email: [sales@800loadcel.com](mailto:sales@800loadcel.com)

Toll Free: 1-800-562-3235  
Ph: 1-570-731-7048  
Fax: 1-570-731-7054