

Model: LCC-DTB

CAPACITY RANGES:
2,000, 3,000, 5,000, 7,500, 10,000,
15,000, 20,000, 30,000 LBS.

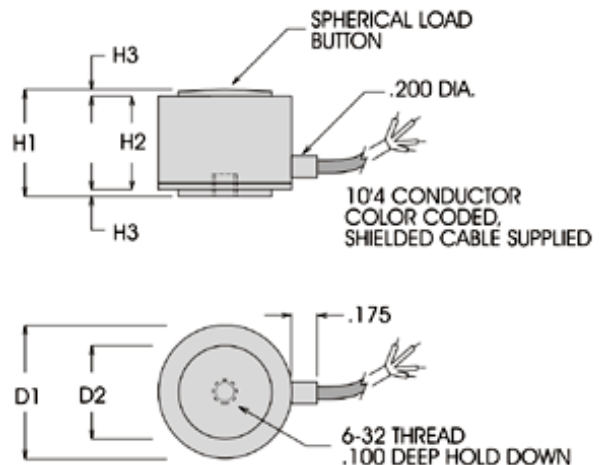
MINIATURE COLUMN LOAD CELL

The LCC-DTB is our miniature high capacity compression load cell / force sensor, featuring low profile compact size for a wide range of portable and dedicated applications up to 30,000 lbs. The load diameter is slightly convex for accurate load distribution. Low deflection through design results in ultra fast frequency response. The LCC-DTB are designed to be mounted in a shallow machined flat pocket or smooth flat surface, either free or fastened via a bottom 6-32 tapped hole. These load cells are manufactured from heat treated 17-4 ph stainless steel. The sensing element incorporates bonded foil strain gages of the highest quality and are sealed for protection against most industrial environments.



SPECIFICATIONS

- Rated Output (R.O.): 2 mV/V nominal
- Nonlinearity: 0.25% of R.O.
- Hysteresis: 0.25% of R.O.
- Nonrepeatability: 0.1% of R.O.
- Zero Balance: 1.0% of R.O.
- Compensated Temp. Range: 60° to 160°F
- Safe Temp. Range: -65° to 200°F
- Temp. Effect on Output: 0.005% of Load/°F
- Temp. Effect on Zero: 0.01% of R.O./°F
- Terminal Resistance: 350 ohms nominal
- Excitation Voltage: 10 VDC
- Safe Overload: 150% of R.O.



DIMENSIONS (INCHES)

MODEL	CAPACITY LBS.	D1	D2	H1	H2	H3	BUTTON RADIUS	DEFLECTION INCHES
DTB-2K	2,000	.625	.450	.600	.480	.06	2.00	0.002
DTB-3K	3,000	.625	.450	.600	.480	.06	2.00	0.002
DTB-5K	5,000	.625	.450	.600	.480	.06	2.00	0.002
DTB-7.5K	7,500	.875	.625	.625	.505	.06	2.00	0.002
DTB-10K	10,000	.875	.625	.625	.505	.06	2.00	0.002
DTB-15K	15,000	1.250	.875	1.000	.880	.06	4.00	0.002
DTB-20K	20,000	1.250	.875	1.000	.880	.06	4.00	0.002
DTB-30K	30,000	1.250	.875	1.000	.880	.06	4.00	0.002

Load Cell Central follows a policy of continuous improvement and reserves the right to change specifications without notice. © 2015