

# Load Cell Central

1-800-LOADCEL

## Model: DTC

Low Profile Compression Load Cell

Capacities: 50,000, 100,000, 200,000, 300,000, 400,000 lbs.

Our model DTC is a high capacity compression load cell, featuring low profile compact size for a wide range of portable and dedicated applications. The loading surface is slightly convex for centered load bearing. Low deflection design results in high frequency response. All ranges are made from 17-4ph heat-treated stainless steel and incorporate a stainless steel molded connector system designed to resist washdown and splash. The mating connector, sold separately, is available in four different cable lengths (6', 12', 20', and 50').



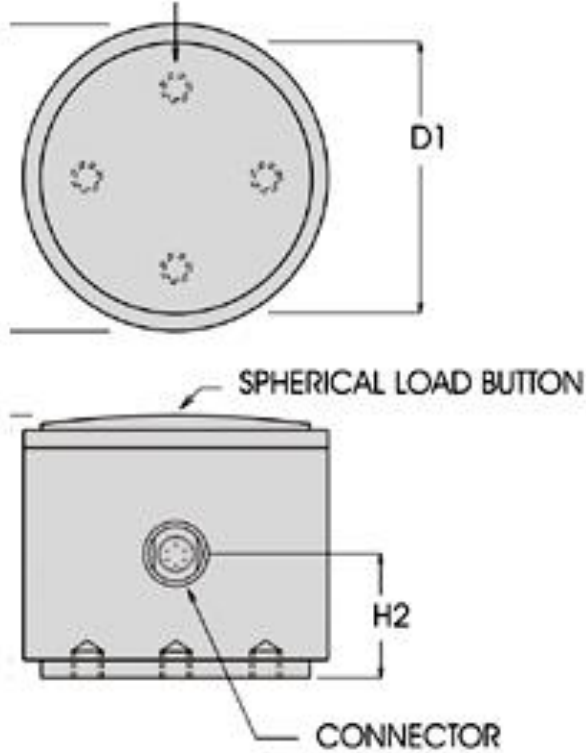
## Specifications:

Rated output	2 mV / V
Nonlinearity	0.25% of FS
Hysteresis	0.25% of FS
Non-repeatability	0.1% of FS
Zero balance	1.0% of FS
Compensated temperature range	60°F to 160°F
Safe temperature range	-65°F to 200°F
Temperature effect on output	0.005% of load/°F
Temperature effect on zero	0.01% of FS/°F
Bridge resistance	350 $\Omega$ nominal
Excitation voltage range	3-15 VDC
Safe overload	150% of FS
Deflection	0.001" @ FS

Load Cell Central  
28175 Rte. 220  
Milan, PA 18831

Web: [www.800loadcel.com](http://www.800loadcel.com)  
Email: [sales@800loadcel.com](mailto:sales@800loadcel.com)

Toll Free: 1-800-562-3235  
Phone: 1-570-731-7048  
Fax: 1-570-731-7054



## Dimensions:

Capacity (lb)	Dimensions (inches)									
	D	D1	H	H1	H2	Button Radius	A	B	C	Weight (lbs)
50,000	2.750	2.060	2.250	.250	1.000	20.0	1/4" - 28	.250	1.500	5
100,00	2.7550	2.060	2.250	.250	1.000	20.0	1/4" - 28	.250	1.500	6
200,000	3.500	2.810	4.000	.250	1.875	24.0	3/8" - 24	.375	2.500	8
300,000	4.250	3.560	4.500	.250	2.125	24.0	3/8" - 24	.375	2.500	9
400,000	4.500	3.810	5.000	.250	2.375	24.0	3/8" - 24	.375	2.500	10

Load Cell Central  
28175 Rte. 220  
Milan, PA 18831

Web: [www.800loadcel.com](http://www.800loadcel.com)  
Email: [sales@800loadcel.com](mailto:sales@800loadcel.com)

Toll Free: 1-800-562-3235  
Phone: 1-570-731-7048  
Fax: 1-570-731-7054