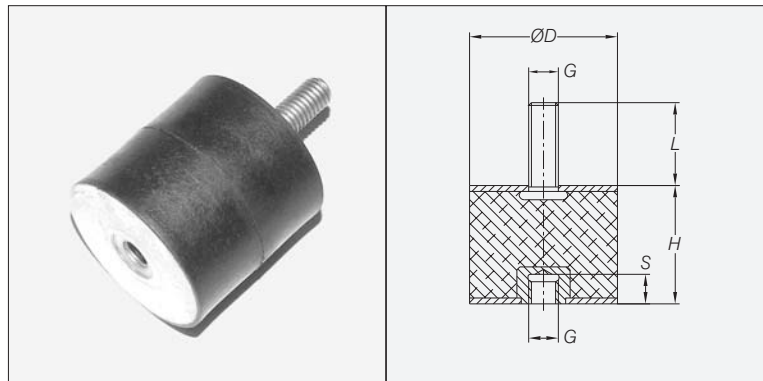


Mounts for the FPB Planar Beam Load Cells Model: FPB-M

Material: Natural rubber
with steel, zinc plated.

Load Mount for FPB Load Cell

	ØD x H	G	L	S
3.75 kg	10 x 15	M4	10	4
7.5 kg	10 x 15	M4	10	4
15 kg	15 x 15	M4	13	4
37.5 kg	20 x 15	M6	15	6
75 kg	20 x 15	M6	15	6
150 kg	30 x 15	M8	20	6



Load Cell Central follows a policy of continuous improvement and reserves the right to change specifications without notice. © 2008

Load Cell Central
216 Main St. / PO Box 91
Monroeton, PA 18832
Web: www.800loadcel.com

Toll Free: 1-800-562-3235
Ph: 1-570-265-5015
Fax: 1-570-265-5148
Email: sales@800loadcel.com