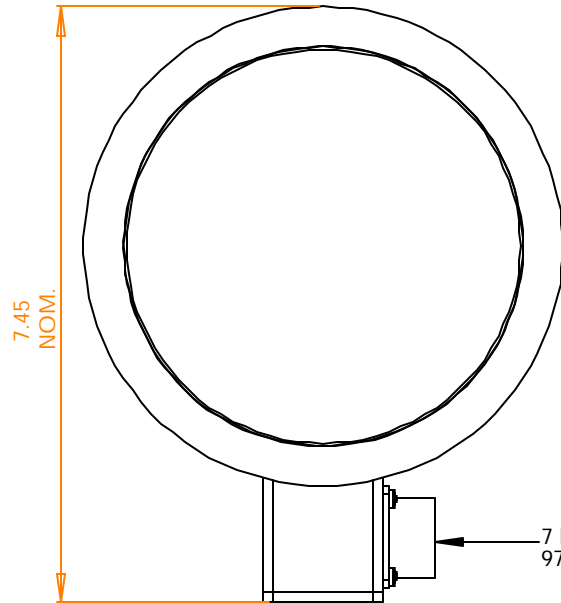


Load Cell Central

1-800-LOADCEL

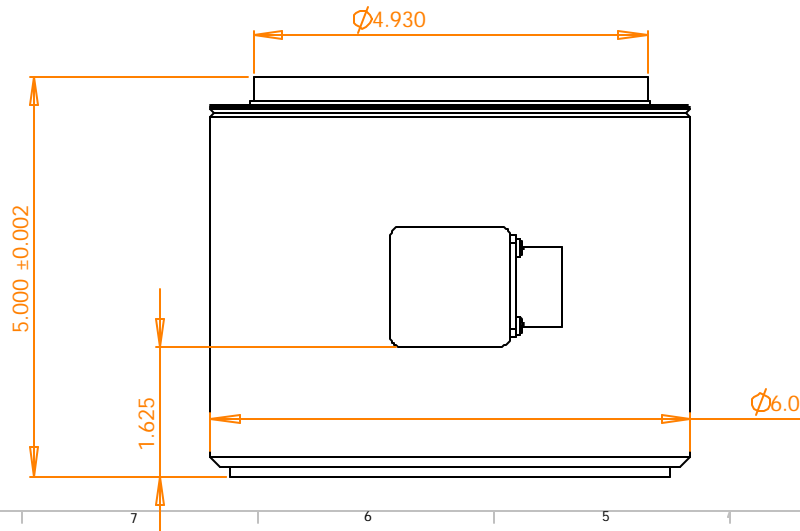
THE INFORMATION CONTAINED IN THIS DRAWING IS THE SOLE PROPERTY OF LOAD CELL CENTRAL. ANY REPRODUCTION IN PART OR WHOLE WITHOUT THE WRITTEN PERMISSION OF LOAD CELL CENTRAL IS PROHIBITED.

REVISIONS			
REV.	DESCRIPTION	DATE	APPROVED



CONSTRUCTION: STAINLESS STEEL
 EXC. VOLTAGE: 10-15 VDC or VAC
 OUTPUT: 2mV/V \pm 1%
 TEMPERATURE RANGE: 10 TO 110°F
 BRIDGE RESISTANCE: 350 OHMS \pm 1%
 INSULATION RESISTANCE: 5000 MEGOHMS MIN.
 LINEARITY: 0.1% F.S.
 REPEATABILITY: 0.05% F.S.
 MAX. LOAD SAFE: 150% OF RATED CAP.
 MAX. LOAD ULTIMATE: 300% OF RATED CAP.

7 PIN MIL-SPEC. CONNECTOR
 97-3102A-16S-1P



NOTE:
 FOR MATING CONNECTOR
 CONTACT LOAD CELL CENTRAL

COMP. CAN	LOAD CELL
FUNCTION	97-3102A-16S-1P
+ EXC	A
- EXC	B
+ SIG	C
- SIG	D

UNLESS OTHERWISE SPECIFIED DIMENSIONS ARE IN INCHES TOLERANCES ARE:		CAD GENERATED DRAWING. DO NOT MANUALLY UPDATE.	
FRACTIONS	DECIMALS	APPROVALS	DATE
\pm 1/64	\pm .01	BI	4/7/05
\pm .0005	\pm .0005	CHECKED	
		MFG ENG	
		OTHER	

STOCK SIZE	APPLICATION DO NOT SCALE DRAWING	SIZE	DWG. NO.	SW MODEL FILE:
		1:1	1100920	

LOAD CELL CENTRAL 1-800-562-3235
 216 Main St. Monroeton, PA 18832

250T (500K LB) @2mV/V
 Model: FTLC
 Compression Column Type

Load Cell Central follows a policy of continuous improvement and reserves the right to change specifications without notice. © 2008

Load Cell Central
 216 Main St. / PO Box 91
 Monroeton, PA 18832
 Web: www.800loadcel.com

Toll Free: 1-800-562-3235
 Ph: 1-570-265-5015
 Fax: 1-570-265-5148
 Email: sales@800loadcel.com

SHEET 1 OF 2