

Stainless Steel Bellows Beam Load Cell

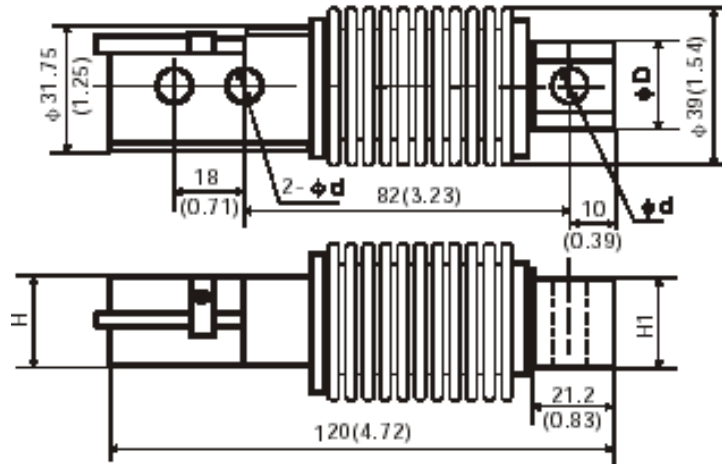
Model: HBBG

Ranges from 20 to 500 KG

The LCC-HBBG load cell is designed for harsh industrial applications such as the food, chemical, and pharmaceutical industries. The strain gauge area and electronic parts are covered by the stainless steel bellows to provide an IP68 protection class rating. When used with the Duramount 25 weighing assembly the HBBG is ideal for low capacity belt scales and hopper scales.



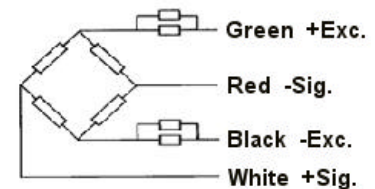
Capacities: 20, 30, 50, 100, 200, 350, & 500KG



Dimensions in MM (inches)

Capacity: KG	d	D	H1	H
20 - 200	8.2 (0.32")	23 (0.91")	20 (0.79")	20 (0.79")
350-500	10.3 (0.41")	24 (0.94")	19 (0.75")	20 (0.79")

Electrical Connection:



Specifications:

Combined Error:	0.02% FS	Temp. Effect on Output:	0.014% FS/10C
Rated Output:	2.0 +/- 0.02 mV/V	Temp. Effect on Zero:	0.017% FS/10C
Non-Linearity:	0.017% FS	Compensated Temp.:	-10 to 40C
Non-Repeatability:	0.01% FS	Operating Temp.:	-35 to 65C
Creep:	0.02% FS/30min.	Recommended Excitation:	10Vdc
Input Resistance:	460 +/- 50 Ohms	Safe Overload:	150% FS
Output Resistance:	350 +/- 3.5 Ohms	Ultimate Overload:	200% FS
Insulation Resistance Megohm:	>5,000 (50Vdc)	Cable Length:	9.5' (3 meters)
Zero Balance:	1% FS	Protection Class:	IP68

Load Cell Central follows a policy of continuous improvement and reserves the right to change specifications without notice. © 2015