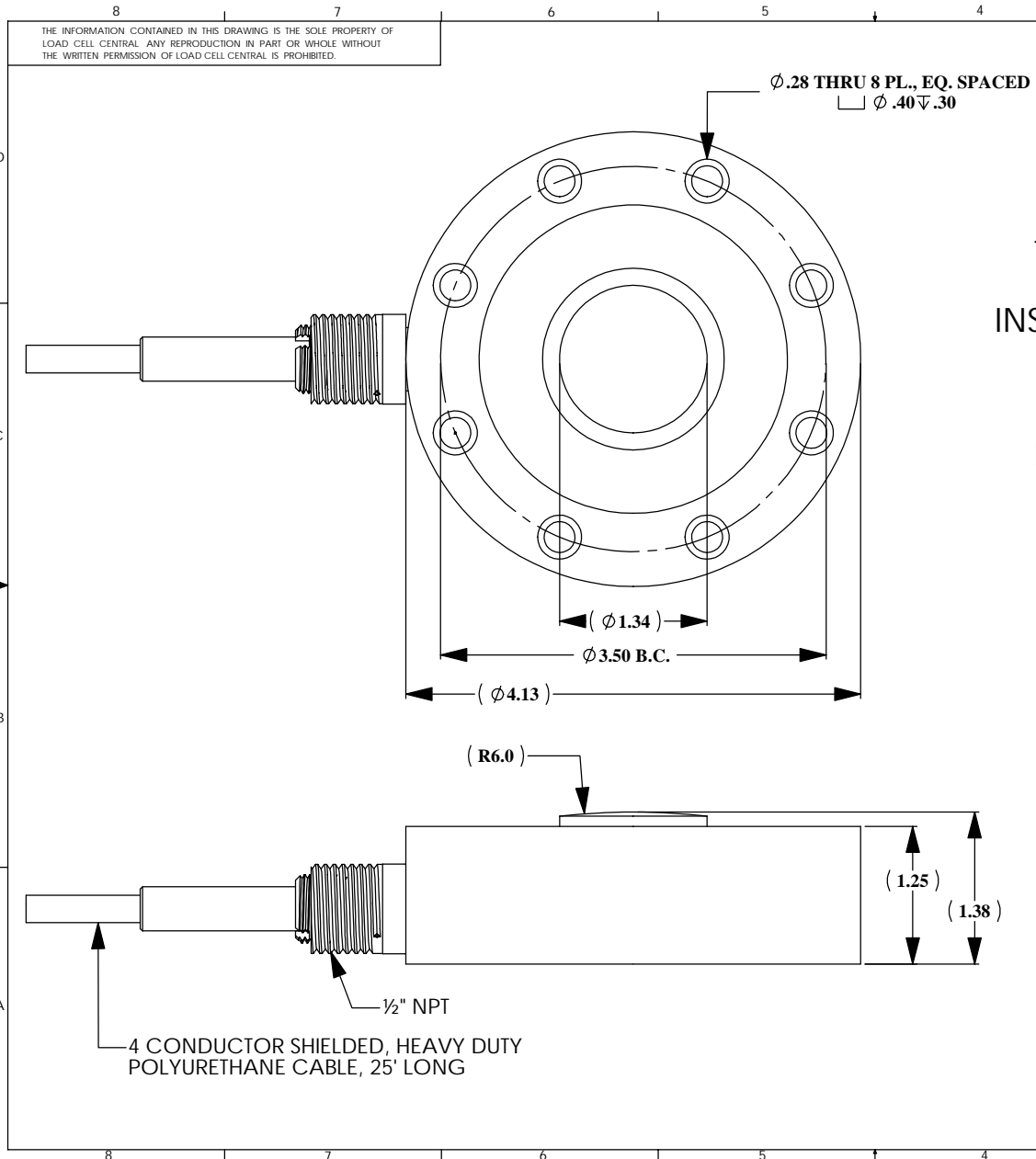


Load Cell Central

1-800-LOADCEL



CONSTRUCTION: STAINLESS STEEL
 EXC. VOLTAGE: 10-15 VDC or VAC
 OUTPUT: 2 mV/V NOM.
 TEMPERATURE RANGE: 10 to 115 °F
 BRIDGE RESISTANCE: 350 OHMS NOM.
 INSULATION RESISTANCE: 5000 MEGOHMS MIN.
 LINEARITY: 0.04% F.S.
 REPEATABILITY: 0.01% F.S.
 MAX. LOAD SAFE: 150% OF RATED CAP.
 MAX. LOAD ULTIMATE: 300% OF RATED CAP.

REVISIONS			
REV.	DESCRIPTION	DATE	APPROVED

WIRE	CODE
+ EXC	RED
- EXC	BLACK
+ SIG	GREEN
- SIG	WHITE

UNLESS OTHERWISE SPECIFIED DIMENSIONS ARE IN INCHES		CAD GENERATED DRAWING. DO NOT MANUALLY UPDATE		LOAD CELL CENTRAL 1-800-562-3235 216 Main St. Monroeton, PA 18832	
TOLERANCES ARE:		APPROVALS	DATE	Model: LCC-IFNS-1 1K - 10K 2mV/V	
FRACTIONS	DECIMALS	ANGLES			
±1/64	.XX ±.01 .XXX ±.005 .XXXX ±.0005	±1°	BI 2/3/04		
STOCK SIZE		MATERIAL	CHECKED	JS 2/4/04	
HEAT TREAT	HEAT TREAT	FINISH	MFG ENG	SIZE	DWG. NO.
APPLICATION DO NOT SCALE DRAWING			OTHER	B	
				SCALE	DWG. FILE
					2500467

Load Cell Central follows a policy of continuous improvement and reserves the right to change specifications without notice. © 2008

Load Cell Central
 216 Main St. / PO Box 91
 Monroeton, PA 18832
 Web: www.800loadcel.com

Toll Free: 1-800-562-3235
 Ph: 1-570-265-5015
 Fax: 1-570-265-5148
 Email: sales@800loadcel.com