

# Load Cell Central

1-800-LOADCEL

## Model: JRS1

Miniature S-Type Load Cell

Capacities: 2.5, 5, 10, 20, 50, 100, 200, 300, 500 (Newtons)

0.56, 1.12, 2.25, 4.50, 11.24, 22.48, 44.96, 67.44, 112.40 (Pounds)

The Load Cell Central JRS1 is a miniature S-Type load cell with a low capacity tension and compression load cell. Featuring ultra-small dimensions the JRS1 is ideal for low-force applications. Capacities from 2.5 – 500 newtons (0.5 – 112 lb) are available.

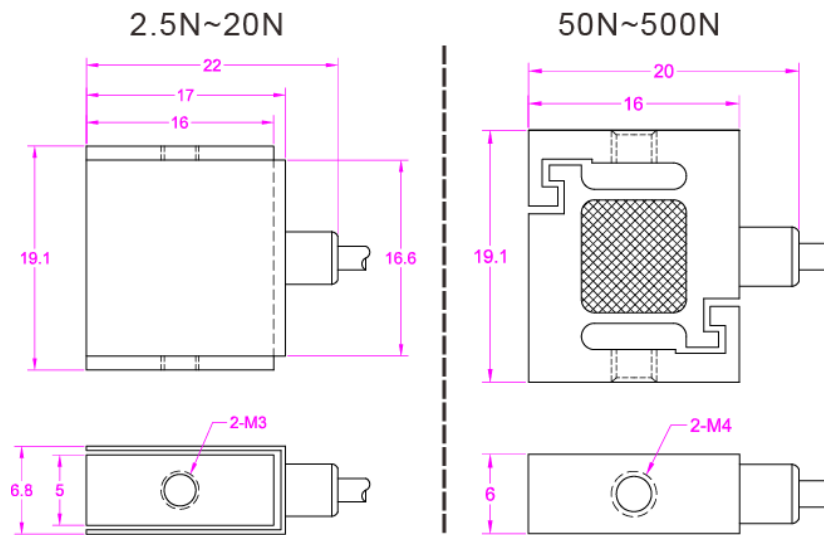


## Specifications:

Rated output	2 mV/V Nominal
Nonlinearity	0.1% of FS
Hysteresis	0.1% of FS
Non-repeatability	0.05% of FS
Zero balance	1.0% of FS
Compensated temperature range	-10°C to 40°C
Safe temperature range	-20°C to 60°C
Temperature effect on output	0.01 % of FS/°C
Temperature effect on zero	0.01 % of FS/°C
Bridge resistance	350 $\Omega$ nominal
Excitation voltage range	3-10 VDC
Safe overload	150% of FS
Ingress Protection	IP50
Material	Stainless Steel ( $\leq$ 5N Aluminum)

### Color Code

+Excitation	Red
-Excitation	Black
+Signal	Green
-Signal	White



Load Cell Central follows a policy of continuous improvement and reserves the right to change specifications without notice. © 2017

**Load Cell Central**  
28175 Route 220  
Milan, PA 18831

Web: [www.800loadcel.com](http://www.800loadcel.com)  
Email: [sales@800loadcel.com](mailto:sales@800loadcel.com)

**Toll Free: 1-800-562-3235**  
Ph: 1-570-731-7048  
Fax: 1-570-731-7054