

Load Cell Central

1-800-LOADCEL

Model: LCS11

Stainless Steel Shear Beam Load Cell

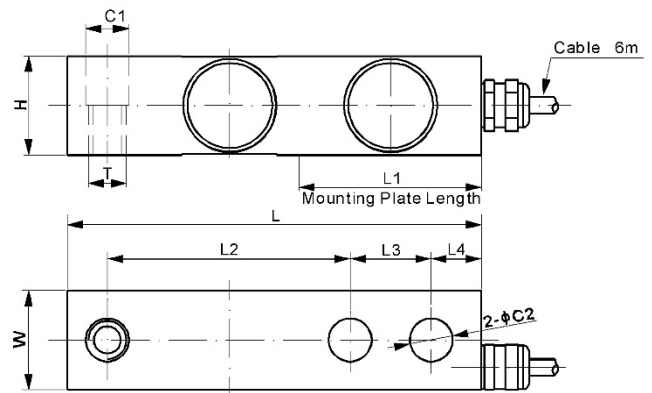
Capacities (lb): 500, 1k, 2.5k, 4k, 5k-se, 5k-le, 10k, 15k, 20k

The LCS11 stainless steel shear beam load cell incorporates a welded seal to achieve an IP68 rating to protect from moisture damage. When used with our Duramount 30 stainless steel shear beam load cell mount, the LCS11 is the ideal choice for load cell vessel weighing and batching systems in harsh environments found in the chemical and food industries.

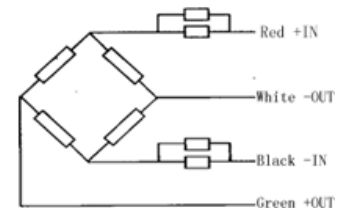


Specifications:

Rated output	3.0 ± 0.25% mV/V
Nonlinearity	0.023% FS
Hysteresis	0.023% FS
Non-repeatability	0.023% FS
Creep	0.03% FS / 30 min
Input resistance	350 ± 7Ω
Output resistance	350 ± 3Ω
Insulation resistance (MΩ)	≥ 3,000 (50 VDC)
Zero balance	<1.0% FS
Compensated temp range	-10 to 50°C
Operating temp	-35 to 65°C
Recommended excitation	10 VDC
Safe overload	150% FS
Ultimate overload	300% FS
Cable length	19.6' (6 meters)



ELECTRICAL CONNECTION:



Dimensions:

Capacity (lb)	Dimensions (inches)									
	C1	C2	H	L	L1	L2	L3	L4	W	T
1k - 5k se	0.53	0.53	1.22	5.12	2.25	3.00	1.00	0.62	1.22	½-20 UNF-2B
5k le - 10k	0.79	0.79	1.50	6.75	3.00	3.75	1.50	0.75	1.50	¾-16 UNF-2B
15K - 20k	1.03	1.03	2.00	8.75	4.00	4.75	2.00	1.00	2.00	1-14 UNS-2B

Load Cell Central
28175 Rte. 220
Milan, PA 18831

Web: www.800loadcel.com
Email: sales@800loadcel.com

Toll Free: 1-800-562-3235
Phone: 1-570-731-7048
Fax: 1-570-731-7054