

## Model: LPSW-B Shear Web Load Cell

### FEATURES

- First Choice for Structural and Materials Testing
- Low Height
- Guaranteed Maximum Off-Center Load and Moment Error
- Low Creep
- Low Susceptibility to Magnetic Fields
- Barometric Pressure Compensation
- Output to 4mV/V
- Bayonet Connector



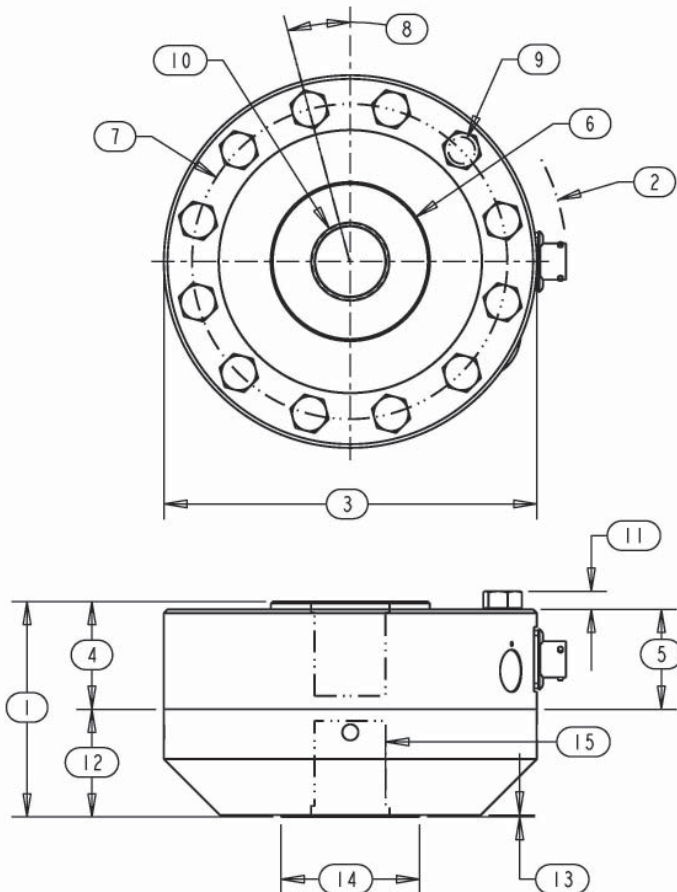
### SPECIFICATIONS

PARAMETERS	Model: LPSW-B			
	CAPACITY (lbf)			
	300, 500 1K, 2K	5K, 10K	25K, 50K	100K
<b>Accuracy</b>				
Static Error Band, % R.O.	+/- .04	+/- .05	+/- .05	+/- .05
Nonlinearity, % R.O.	+/- .04	+/- .05	+/- .05	+/- .05
Hysteresis, % R.O.	+/- .03	+/- .05	+/- .05	+/- .05
Nonrepeatability, % R.O.	+/- .01	+/- .01	+/- .01	+/- .01
Creep, % in 20 minutes	+/- .025	+/- .025	+/- .025	+/- .025
Off-Center Load Sensitivity, %/inch	+/- .25	+/- .25	+/- .25	+/- .25
Side Load Sensitivity, %	+/- .25	+/- .25	+/- .25	+/- .25
Zero Balance, % R.O.	+/- 1.0	+/- 1.0	+/- 1.0	+/- 1.0
<b>Temperature</b>				
Range, Compensated, °F	+15 to +115	+15 to +115	+15 to +115	+15 to +115
Range, Operating, °F	-65 to +200	-65 to +200	-65 to +200	-65 to +200
Effect on Sensitivity, % Rdg/100°F	+/- .08	+/- .08	+/- .08	+/- .08
Effect on Zero, % R.O./100°F	+/- .15	+/- .15	+/- .15	+/- .15
<b>Electrical</b>				
Rated Output, mV/V, Nominal	2.0	4.0	4.0	4.0
Excitation Voltage, VDC	10	10	10	10
Input Resistance, Ohms	350	350	350	350
Output Resistance, Ohms	350	350	350	350
Insulation Resistance, Megohm	5000	5000	5000	5000
<b>Mechanical</b>				
Safe Overload Range, % R.O.	+/- 150	+/- 150	+/- 150	+/- 150
Weight (lbs.)	1.0	2.9	9.1	23.5
Weight w/base (lbs.)	2.5	6.5	21.5	52.5
Flexure Material	Aluminum	Steel	Steel	Steel

Load Cell Central follows a policy of continuous improvement and reserves the right to change specifications without notice. © 2015

## DIMENSIONS

Review Drawing (in inches)	Model: LPSW-B			
	300, 500 1K, 2K	CAPACITY (lbf)		100K
		5K, 10K	25K, 50K	
1. Height Total	2.56	2.56	3.67	4.65
2. Max. Clearance Radius	2.53	2.53	3.50	4.50
3. Cell and Base Diameter	4.12	4.12	6.06	8.00
4. Cell Height to Hub	1.38	1.38	1.75	2.50
5. Cell Body Height	1.25	1.25	1.63	2.25
6. Hub Diameter	1.29	1.29	2.34 25K/2.58 50K	
7. Mounting B.C. Diameter	3.50	3.50	5.13	6.50
8. Symmetric B.C. Offset	22.5 Degrees		15 Degrees	11.25 Degrees
9. Mounting Hole Diameter	.28	.28	.41	.53
10. Hub Thread	1/2 - 20, 1.12 Dp.	5/8 - 18, 1.12 Dp.	1 1/4 - 12, 1.50 Dp.	1 3/4 - 12, 2.20 Dp.
11. Bolt Head Protrusion	.18	.18	.29	.40
12. Base Thickness	1.13	1.13	1.75	2.00
13. Base Step Height	.03	.03	.03	.03
14. Base Step Diameter	1.25	1.25	2.25	3.00
15. Base Thread	1/2 20, .88 Dp.	5/8 - 18, .88 Dp.	1 1/4 - 12, 1.50 Dp.	1 3/4 - 12, 1.75 Dp.



## OPTIONS

- Additional bridges
- Output adjustment to standard
- Compression overload protection
- Integral cable
- Custom connectors
- Connector guard

## ACCESSORIES

- Mating connector
- Loading fixtures
- Interconnect cable
- Shunt calibration resistor
- Instrumentation

Load Cell Central follows a policy of continuous improvement and reserves the right to change specifications without notice. © 2015