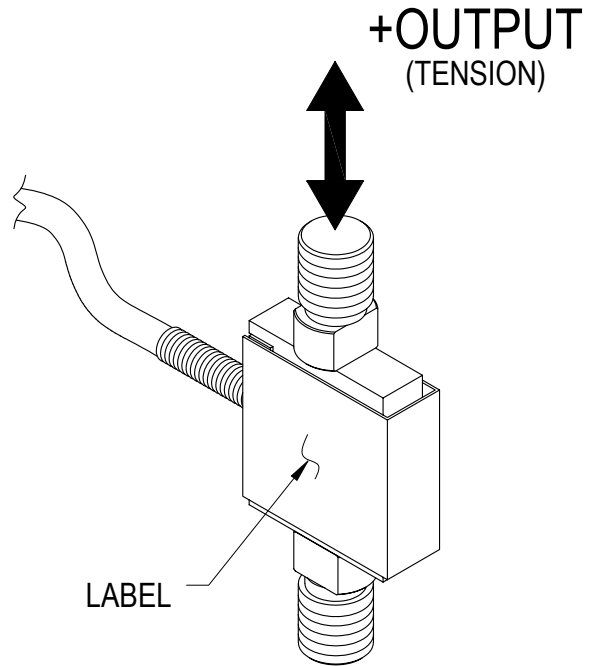
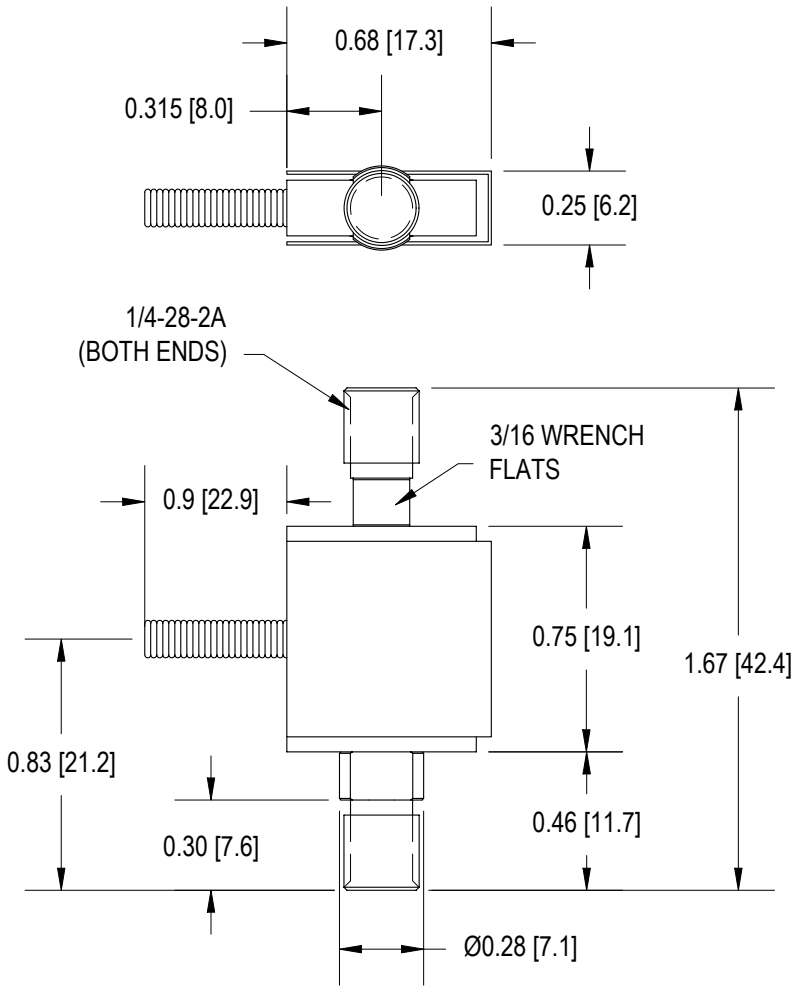


MODEL: MSTM

# MINIATURE S-TYPE LOAD CELL

## TENSION & COMPRESSION w/MALE THREADS

INCH [mm] R.O.= Rated Output			
WIRING CODE			
+Excitation	-Excitation	+Signal	-Signal
RED	BLACK	GREEN	WHITE



**NOTE:**  
WHEN USING WRENCH FLATS TO TIGHTEN DO NOT TORQUE THROUGH THE SENSOR, THIS MAY DAMAGE THE SENSOR.

### SPECIFICATIONS:

<b>RATED OUTPUT</b>	1.5 mV/V nom. (100 g), 2 mV/V nom. (250 g to 100 lb)
<b>SAFE OVERLOAD</b>	1000% of R.O. (100 g to 100 lb), 200% of R.O. Tension Only (50 lb and 100 lb)*
<b>ZERO BALANCE</b>	±3% of R.O.
<b>EXCITATION (VDC OR VAC)</b>	10 MAX
<b>BRIDGE RESISTANCE</b>	350 Ω nom.
<b>NONLINEARITY</b>	±0.1% of R.O.
<b>HYSTERESIS</b>	±0.1% of R.O.
<b>NONREPEATABILITY</b>	±0.05% of R.O.
<b>TEMP. SHIFT ZERO</b>	±0.01% of R.O./°F [0.018% of R.O./°C]
<b>TEMP. SHIFT SPAN</b>	±0.02% of LOAD/°F [0.036% of LOAD/°C]
<b>COMPENSATED TEMP.</b>	60 to 160°F [15 to 72°C]
<b>OPERATING TEMP.</b>	-60 to 200°F [-50 to 93°C]
<b>WEIGHT</b>	0.5 oz [14 g] (100g to 10 lb), 1.1 oz [31 g] (25 to 100 lb)
<b>MATERIAL</b>	ALUMINUM (100g to 10 lb), STAINLESS STEEL (25 to 100 lb)
<b>DEFLECTION</b>	0.005 [0.13] nom.
<b>CABLE: #29 AWG, 4 Conductor, Spiral Shielded Silicone Cable, 5 ft [1.5 m] Long</b>	
<b>ACCESSORIES AND RELATED INSTRUMENTS AVAILABLE</b>	
<b>CALIBRATION (STD)</b>	5 pt TENSION; 60.4 KΩ SHUNT CAL. VALUE
<b>CALIBRATION (AVAILABLE)</b>	COMPRESSION
<b>CALIBRATION TEST EXCITATION</b>	5 VDC

Model	CAPACITIES	
	lb	N
MSTM	100g	1
MSTM	250g	2.5
MSTM	1	4.5
MSTM	2	8.9
MSTM	5	22.2
MSTM	10	44.5
MSTM	25	111
MSTM	50	222
MSTM	100	445