

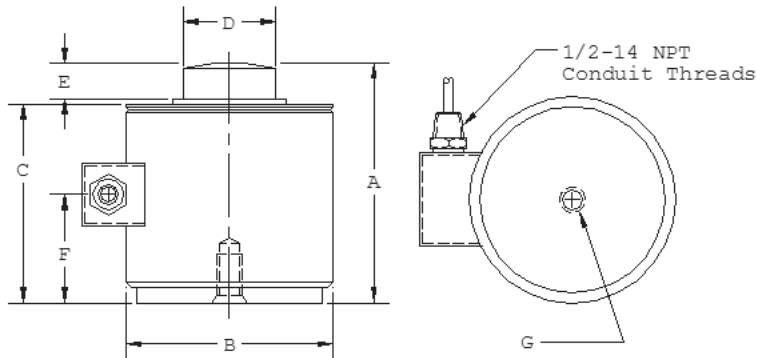
Load Cell Central

1-800-LOADCEL

Compression Canister Load Cell

Model: PCT

Ranges from 500 to 1,000,000 lbs.



RATED CAPACITY	DIMENSIONS						
	A	B	C	D	E	F	G
500-50,000 lb	3.25	2.88	2.85	1.25	0.35	1.58	1/2-20 UNF x .31 deep
60,000-100,000 lb	5.00	4.12	4.49	2.31	0.45	2.45	1/2-20 UNF x .56 deep
200,000-300,000 lb	7.25	6.00	6.18	3.13	1.00	3.65	3/4-16 UNF x .75 deep
500,000 lb	9.00	6.50	8.36	3.69	0.60	4.81	3/4-16 UNF x .75 deep
1,000,000 lb	8.50	7.00	7.63	5.50	0.80	4.60	3/4-16 UNF x 1.25 deep

SPECIFICATIONS:

Full Scale Output: 1.75 mV/V
 Bridge Resistance: 480 ohms, nominal
 Material/Finish: Stainless steel
 Temperature: Compensated range
 +14F TO 104F / -10C TO 40C

Insulation Resistance: 5000 megohms

Seal Type: Hermetically Sealed
 Cable Length: 50'
 Cable Color Code: Green.....+ Excitation
 Black.....- Excitation
 White..... + Signal
 Red..... - Signal

Safe Overload: 150% Full Scale
 Rated Excitation: 10V AC/DC (15V maximum)
 Combined Error: 0.15% Full Scale

Load Cell Central follows a policy of continuous improvement and reserves the right to change specifications without notice. © 2008

Load Cell Central
 216 Main St. / PO Box 91
 Monroeton, PA 18832
 Web: www.800loadcel.com

Toll Free: 1-800-562-3235
 Ph: 1-570-265-5015
 Fax: 1-570-265-5148
 Email: sales@800loadcel.com