

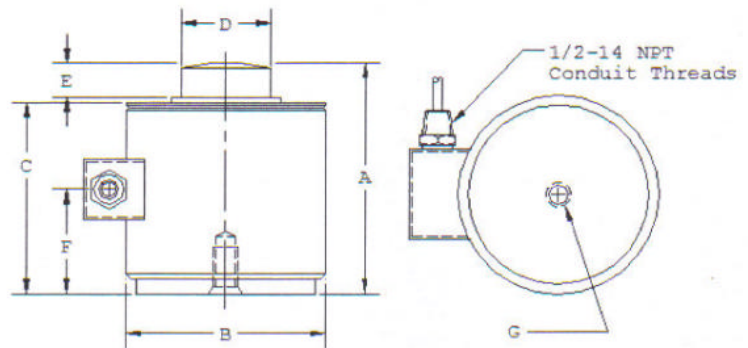
Load Cell Central

1-800-LOADCEL

Compression Canister Load Cell

Model: PSC

Ranges from 500 to 1,000,000 lbs.



RATED CAPACITY	DIMENSIONS						
	A	B	C	D	E	F	G
500-50,000 lb	3.25	2.88	2.85	1.25	0.35	1.58	1/2-20 UNF x .31 deep
60,000-100,000 lb	5.00	4.12	4.49	2.31	0.45	2.45	1/2-20 UNF x .56 deep
200,000-300,000 lb	7.25	6.00	6.18	3.13	1.00	3.65	3/4-16 UNF x .75 deep
500,000 lb	9.00	6.50	8.36	3.69	0.60	4.81	3/4-16 UNF x .75 deep
1,000,000 lb	8.50	7.00	7.63	5.50	0.80	4.60	3/4-16 UNF x 1.25 deep

SPECIFICATIONS:

Full Scale Output	2 mV/V	Insulation Resistance:	5000 megohms
Bridge Resistance:	480 ohms, nominal	Seal Type:	Hermetically Sealed
Material/Finish:	Stainless steel	Cable Length:	50'
Temperature:	Compensated range +32F TO 86F / 0C TO 30C	Cable Color Code:	Green.....+ Excitation Black.....- Excitation White.....+ Signal Red.....- Signal
Safe Overload:	150% Full Scale		
Rated Excitation:	10V AC/DC (15V maximum)		
Combined Error:	0.05% Full Scale		

Load Cell Central follows a policy of continuous improvement and reserves the right to change specifications without notice. © 2008

Load Cell Central
216 Main St. / PO Box 91
Monroeton, PA 18832
Web: www.800loadcel.com

Toll Free: 1-800-562-3235
Ph: 1-570-265-5015
Fax: 1-570-265-5148
Email: sales@800loadcel.com