

# Load Cell Central

1-800-LOADCEL

MODEL: PSP4

DESCRIPTION



**“NCI®/MK-4 Style” Precision Moment Corrected Load Cell**  
**Capacities: 10, 15, 25, 30, 50, 100, & 200 lbs.**  
**Included Cable: 10’ Four Conductor Jacketed Cable**

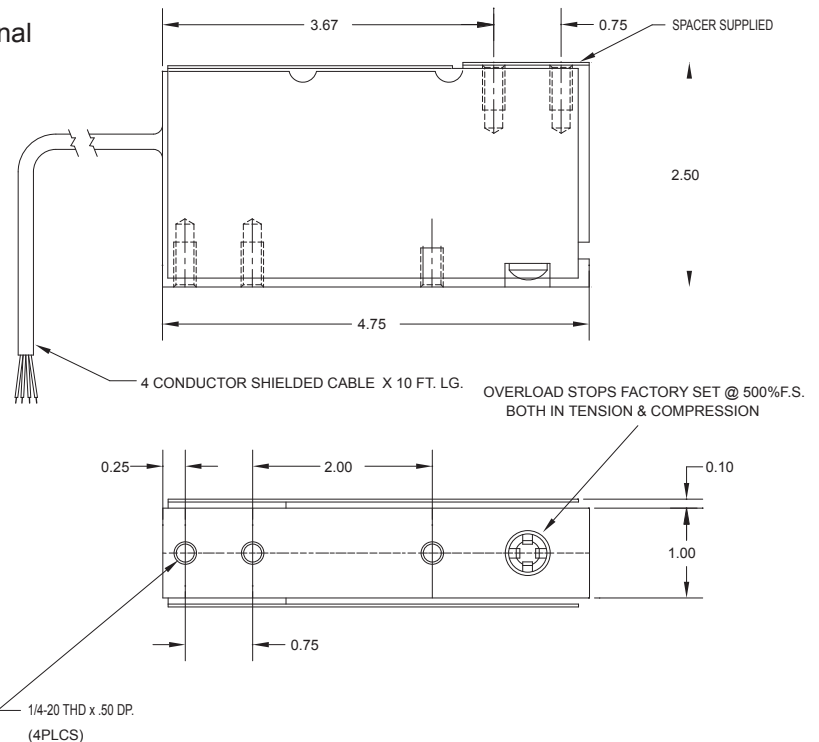
## TYPICAL APPLICATIONS

- High accuracy cell applications
- Use where load point is spread over large area
- Upgrade replacement to NCI® model MK-4
- Ideal for scales in washdown areas
- Good for convey or vessel monitoring
- Small tank or vessel batching
- Tension and compression overload stops preset at factory

## SPECIFICATION

Load cell specifications are subject to change without notice.

Output:	2.0mV/V Nominal
Non-Linearity:	0.03% FSO
Hysteresis:	0.03% FSO
Zero Balance:	± 1%
Comp. Temp. Range:	0° to 150°F
Oper. Temp. Range:	-40° to 180°F
Terminal Resistance:	350 OHMS
Excitation Voltage:	6 -15 VDC
Safe Overload:	500%



Load Cell Central follows a policy of continuous improvement and reserves the right to change specifications without notice. © 2008

Load Cell Central  
 216 Main St. / PO Box 91  
 Monroeton, PA 18832  
 Web: [www.800loadcel.com](http://www.800loadcel.com)

Toll Free: 1-800-562-3235  
 Ph: 1-570-265-5015  
 Fax: 1-570-265-5148  
 Email: [sales@800loadcel.com](mailto:sales@800loadcel.com)