

# Load Cell Central

1-800-LOADCEL

## Model: SPWE

Low Profile Stainless Steel Vessel Weighing Assembly  
Ranges from 1,000 to 450,000 lb

The SPWE low profile weighing assembly from Load Cell Central is designed as an alternative to traditional single and double ended shear beam load cells and mounts. Considerably smaller, it is easier to install, less head room is lost, and it weighs accurately with up to 3° off-axis load. Manufactured from 17-4 stainless steel\* with a welded seal, it is suitable for outdoor and corrosive environments.

\* Standard base plate for 150K-450K is square and painted alloy steel.



## Options:

- Quick disconnect / cable assembly
- High temperature Teflon jacketed cable
- Armor braided rodent proof cable
- Load cell top plate

## Specifications:

Rated output	3.0 mV/V $\pm$ 0.1%
Nonlinearity	0.1% FS
Non-repeatability	0.05% FS
Bridge Resistance	350 $\Omega$ $\pm$ 1%
Insulation resistance (M $\Omega$ )	$\geq$ 5,000 (50 VDC)
Temperature range	10 to 110°F
Recommended excitation	5-15 VDC or VAC
Safe overload	150% FS
Ultimate overload	300% FS
Uplift restraint	100% FS
Lateral restraint	100% FS
Cable length	25' (or custom lengths)



Example of vessel weighing kit with SPWE assemblies with hermetically sealed connector option, intrinsically safe weighing indicator and junction box.

Load Cell Central  
28175 Rte. 220  
Milan, PA 18831

Web: [www.800loadcel.com](http://www.800loadcel.com)  
Email: [sales@800loadcel.com](mailto:sales@800loadcel.com)

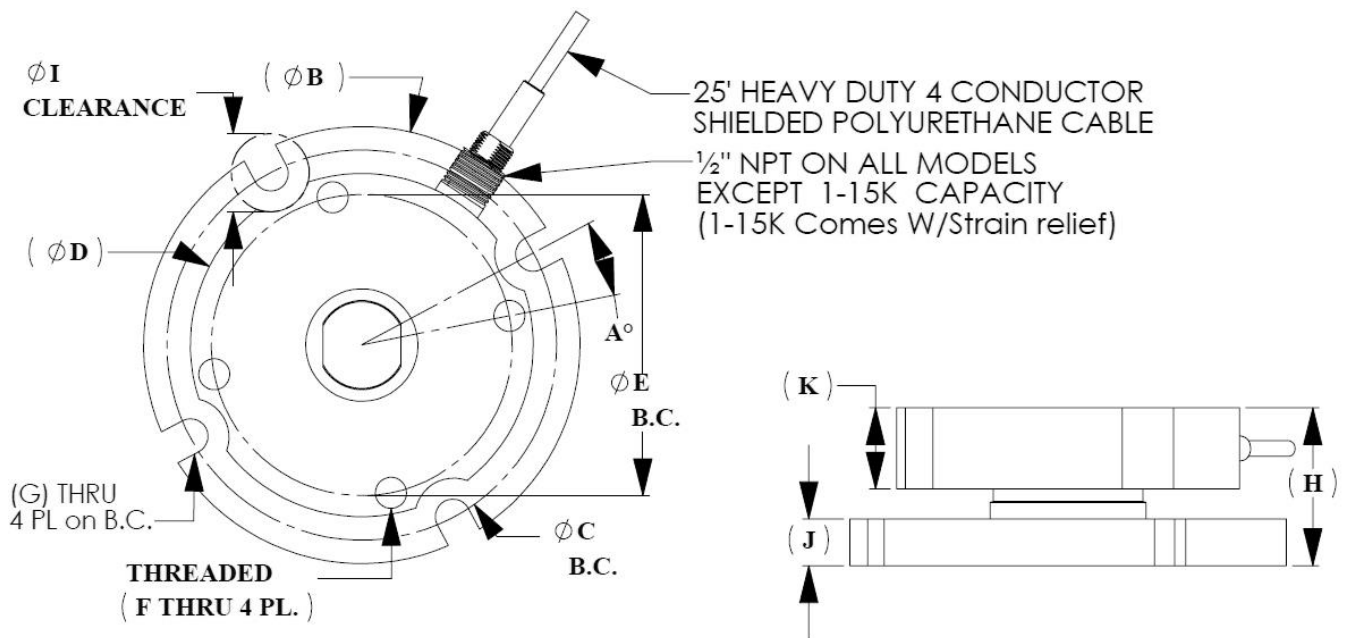
Toll Free: 1-800-562-3235  
Phone: 1-570-731-7048  
Fax: 1-570-731-7054

## Standard Capacities:

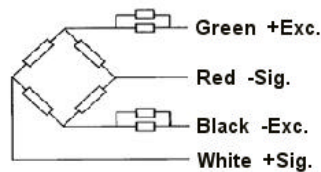
1K, 2.5K, 5K, 10K, 15K, 20K, 25K, 35K, 50K, 60K, 75K, 100K, 125K, 150K, 200K, 225K, 250K, 350K, 450K lb  
(Capacities up to 1,000,000 lb available)

## Dimensions: (inches)

Rated Capacity (lb)	L.C. to Base A°	Base Ø B	Base B.P. Ø C	L.C. Ø D	L.C. B.C. Ø E	L.C. Thread F	Base Thru G	O.A.H. H	Scallop Clearance Ø I	Base Height J	L.C. Height K	Assembly Weight lb
1-15K	23	4.50	3.90	3.50	3.00	3/8-16	0.40	1.37	0.75	0.38	0.75	4
20-50K	17	7.00	6.25	5.50	4.83	1/2-13	0.56	2.53	1.25	0.75	1.30	15
60-125K	53.7	8.00	7.00	6.50	5.50	3/4-16	0.81	3.12	1.75	1.00	1.50	23
150-225K	N/A	10.00 sq.	8.00 sq.	9.00	7.83	1"-14	1.06	4.75	N/A	2.00	2.25	85
250-450K	N/A	12.00 sq.	10.00 sq.	10.00	8.38	1 1/4"-12	1.31	6.42	N/A	3.00	2.25	137



### Electrical Connection:



Load Cell Central  
28175 Rte. 220  
Milan, PA 18831

Web: [www.800loadcel.com](http://www.800loadcel.com)  
Email: [sales@800loadcel.com](mailto:sales@800loadcel.com)

Toll Free: 1-800-562-3235  
Phone: 1-570-731-7048  
Fax: 1-570-731-7054