

Load Cell Central

1-800-LOADCEL

Model: SWCM

Low Profile Shear Web Pancake Load Cell

Capacities: 2.5k, 5k, 7.5k, 10k, 25k, 35k, 45k lb

The SWCM load cell is designed for compression loads such as material testing, force calibration of presses, or nearly any force measurement application. The SWCM is constructed of a nickel-plated high alloy tool steel and fully potted to IP65 to protect from water and moisture damage. The standard output is 2 mV/V (for example, 20 millivolts full scale with 10V excitation) that can be used with any of our load cell digital displays or a signal conditioner to interface to a PC, PLC, or data recorder.



Specifications:

Combined error	0.07% FS
Rated output	2.0 mV/V nominal
Non-repeatability	0.02% of FS
Creep	0.02% FS/30 min
Input resistance	700 ± 7Ω
Output resistance	700 ± 7Ω
Insulation resistance	>5,000 MΩ (50 VDC)
Zero balance	2.0% of FS
Compensated temperature range	-10 to 55°C
Operating temperature range	-35°C to 65°C
Temperature effect on output	0.03% FS / 10°C
Temperature effect on zero	0.03% FS / 10°C
Recommended excitation	10 VDC
Safe overload	150% FS
Ultimate overload	200% FS
Cable length	2.5 – 7.5k: 10 feet 10 – 25k: 13 feet 35 – 45k: 16.6 feet

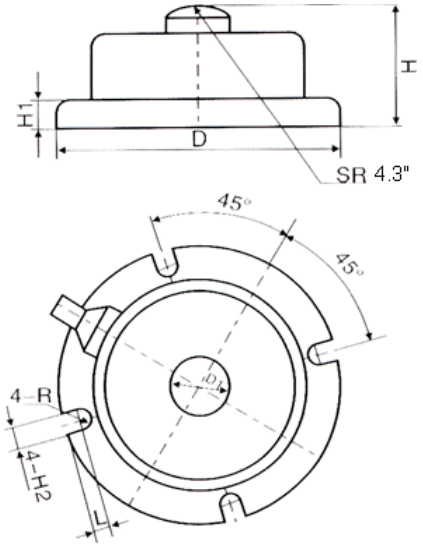
Load Cell Central
28175 Rte. 220
Milan, PA 18831

Web: www.800loadcel.com
Email: sales@800loadcel.com

Toll Free: 1-800-562-3235
Phone: 1-570-731-7048
Fax: 1-570-731-7054

Dimensions:

Capacity (lb)	Dimensions (inches)					
	D	D1	H	H1	H2	L
2.5k	4.53	.87	1.69	.47	.33	.31
5k	4.72	1.02	1.77	.47	.33	.31
7.5, 10k	5.04	.79	1.81	.31	.41	.28
25k	6.30	1.57	2.48	.59	.41	.39
35k	7.64	1.65	2.68	.79	.49	.47
45k	8.66	1.73	2.87	.87	.49	.47



Load Cell Central
28175 Rte. 220
Milan, PA 18831

Web: www.800loadcel.com
Email: sales@800loadcel.com

Toll Free: 1-800-562-3235
Phone: 1-570-731-7048
Fax: 1-570-731-7054