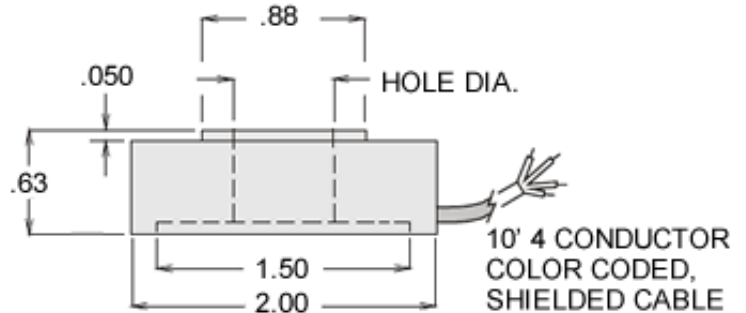


LCC-TCD

COMPRESSION THRU-HOLE LOAD CELL
CAPACITIES: 250, 500, 1K, 2K, 3K, 5K, 7.5K, 10K LB.



Model LCC-TCD Series thru-hole load cells offer an outside diameter of 2.00 inches and up to six different thru-hole diameter options per capacity range. These load cells are manufactured from heat treated 17-4 ph stainless steel. The sensing element incorporates bonded foil strain gages of the highest quality and are sealed for protection against the harshest of environments. Feel free to contact Load Cell Central to discuss your application.



SPECIFICATIONS:

- Full Scale Output : 2 mV/V Nominal
- Non-Linearity : 0.5% FS
- Hysteresis : 0.5% FS
- Non-Repeatability : 0.1% FS
- Zero Balance : 1.0% FS
- Thermal Sensitivity Shift : 0.005% Rdg/°F
- Thermal Zero Shift : 0.01% FS/°F
- Comp. Temp. Range : +60°F to +160°F
- Operating Temp. Range : -65°F to +200°F
- Bridge Resistance : 350Ω Nominal
- Recommended Excitation : 10V
- Safe Overload : 150% FS
- Cable Length : 10 ft.

Available Inside Hole Diameter						
	-P	-Q	-R	-S	-T	-V
Nom.	1/8	3/16	1/4	3/8	1/2	5/8
Actual	.128"	.193"	.266"	.391"	.532"	.656"

Load Cell Central follows a policy of continuous improvement and reserves the right to change specifications without notice. © 2018