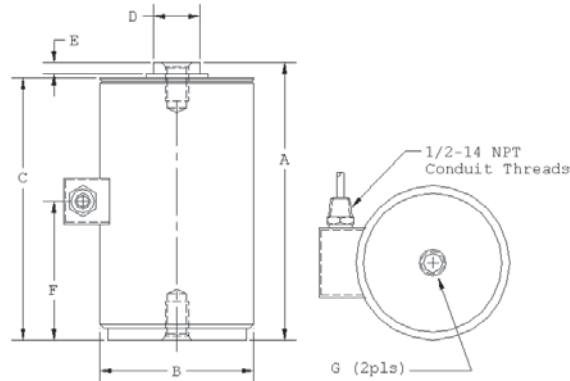


# Load Cell Central

1-800-LOADCEL

## Model: TFT42 Tension / Compression Canister, Stainless Steel Hermetically Sealed Load Cell



RATED CAPACITY	DIMENSIONS						
	A	B	C	D	E	F	G
5K - 10K	5.94	3.50	5.44	1.40	0.44	3.00	1-14 UNS x 1.25 deep
20K	8.50	5.00	8.00	2.21	0.44	4.25	1-1/2-12 UNF x 2.00 deep
50K	11.44	6.50	10.50	2.76	0.81	5.75	1-1/2-12 UNF x 2.00 deep
100K	11.44	6.50	10.50	3.29	0.81	5.75	2-12 UN x 2.25 deep
200K - 250K	16.25	8.00	14.81	4.21	1.31	8.00	2-1/2-12 UN x 2.75 deep

### SPECIFICATIONS:

Full Scale Output	2.0 mV/V	Insulation Resistance:	5000 megohms
Bridge Resistance:	350 ohms, nominal	Seal Type:	Hermetically sealed
Material/Finish:	Stainless steel	Cable Length:	50' Standard Cable
Temperature:	Compensated range +14F TO 104F / -10C TO 40C	Cable Color Code:	Green.....+ Excitation Black.....- Excitation White.....+ Signal Red.....- Signal
Safe Overload:	150% Full Scale		
Rated Excitation:	10V AC/DC (15V maximum)		
Combined Error:	0.052% Full Scale		

Load Cell Central follows a policy of continuous improvement and reserves the right to change specifications without notice. © 2008

Load Cell Central  
216 Main St. / PO Box 91  
Monroeton, PA 18832  
Web: [www.800loadcel.com](http://www.800loadcel.com)

Toll Free: 1-800-562-3235  
Ph: 1-570-265-5015  
Fax: 1-570-265-5148  
Email: [sales@800loadcel.com](mailto:sales@800loadcel.com)