

Load Cell Central

1-800-LOADCEL

COMPRESSION THRU-HOLE LOAD CELL

MODEL: VCD

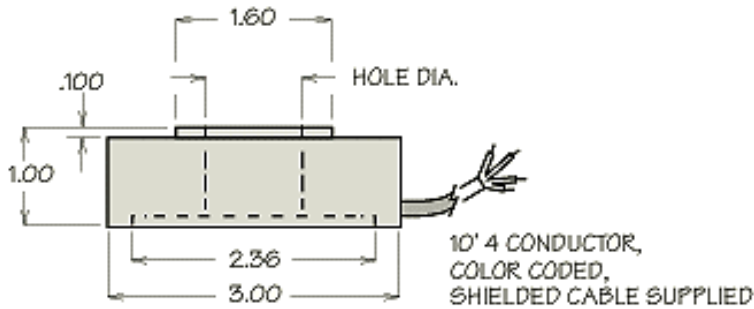
CAPACITY RANGES:

2,000, 3,000, 5,000, 7,500, 10,000,
15,000, 20,000, 30,000, 50,000 LBS.

The VCD thru-hole load cells offer an outside diameter of 3.00 inches and up to nine different thru-hole diameter options per capacity range. These load cells are manufactured from heat treated 17-4 ph stainless steel. The sensing element incorporates bonded foil strain gages of the highest quality and are sealed for protection against most industrial environments.



SPECIFICATIONS



Rated Output (R.O.):	2 mV/V nominal
Nonlinearity:	0.5% of R.O.
Hysteresis:	0.5% of R.O.
Nonrepeatability:	0.1% of R.O.
Zero Balance:	1.0% of R.O.
Compensated Temp. Range:	60° to 160°F
Safe Temp. Range:	-65° to 200°F
Temp. Effect on Output:	0.005% of Load/°F
Temp. Effect on Zero:	0.01% of R.O./°F
Terminal Resistance:	350 ohms nominal
Excitation Voltage:	10 VDC
Safe Overload:	150% of R.O.
Deflection Inches:	0.002 @ R.O.

MODEL	CAPACITY
VCD-2K	2,000 LBS.
VCD-3K	3,000 LBS.
VCD-5K	5,000 LBS.
VCD-7.5K	7,500 LBS.
VCD-10K	10,000 LBS.
VCD-15K	15,000 LBS.
VCD-20K	20,000 LBS.
VCD-30K	30,000 LBS.
VCD-50K	50,000 LBS.

ALL MODELS AVAILABLE WITH
-P THROUGH -Z
INSIDE HOLE DIAMETERS

INSIDE HOLE DIAMETER DIMENSIONS	-P	-Q	-R	-S	-T	-V	-W	-Y	-Z
NOMINAL HOLE DIA.	1/8"	3/16"	1/4"	3/8"	1/2"	5/8"	3/4"	1"	1-1/4"
ACTUAL HOLE DIA.	.128	.193	.266	.391	.532	.656	.781	1.032	1.281

Load Cell Central follows a policy of continuous improvement and reserves the right to change specifications without notice. © 2018

Load Cell Central
28175 Route 220
Milan, PA 18831

Web: www.800loadcel.com
Email: sales@800loadcel.com

Toll Free: 1-800-562-3235
Ph: 1-570-731-7048
Fax: 1-570-731-7054