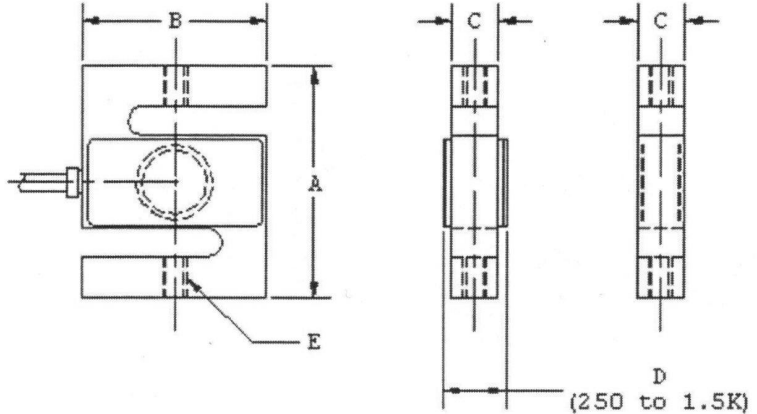
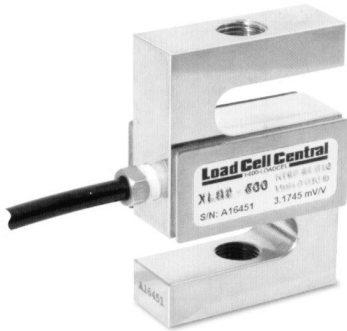


# Load Cell Central

1-800-LOADCEL

**S-Beam Load Cell**  
**Model: XLSC**  
 Ranges from 250 to 40,000 lbs.



RATED CAPACITY	DIMENSIONS				
	A	B	C	D	E
250 - 300 lb	3.00	2.00	0.50	0.75	3/8-24 UNF
500 - 1.5K	3.00	2.00	0.75	1.00	1/2-20 UNF
2K - 3K	3.00	2.00	1.00		1/2-20 UNF
5K	4.25	2.25	1.00		3/4-16 UNF
10K	4.25	3.00	1.00		3/4-16 UNF
15K	5.50	3.95	1.25		1-1/4 UNS
20K	7.00	5.00	2.00		1-1/4-12 UNF
40K	7.50	5.50	2.50		1-1/2-12 UNF

## SPECIFICATIONS:

Full Scale Output: 3.0 mV/V nominal  
 Bridge Resistance: 350 ohms, nominal  
 Material/Finish: High-alloy steel, nickel plated  
 Temperature: Compensated range  
 +14F TO 104F / -10C TO 40C

Insulation Resistance: 2000 megohms

Seal Type: Environmentally Protected, IP67

Cable Length: 20'

Cable Color Code: Green.....+ Excitation

Black.....- Excitation

White.....+ Signal

Red.....- Signal

Safe Overload: 150% Full Scale  
 Rated Excitation: 10V AC/DC (15V maximum)  
 Combined Error: 0.02% Full Scale

Load Cell Central follows a policy of continuous improvement and reserves the right to change specifications without notice. © 2008

Load Cell Central  
 216 Main St. / PO Box 91  
 Monroeton, PA 18832  
 Web: [www.800loadcel.com](http://www.800loadcel.com)

Toll Free: 1-800-562-3235  
 Ph: 1-570-265-5015  
 Fax: 1-570-265-5148  
 Email: [sales@800loadcel.com](mailto:sales@800loadcel.com)