

# Load Cell Central

1-800-LOADCEL

## MODEL 10AT

## CRANE SCALE SERIES



### Applications:

- Shipping & Receiving
- General Purpose Weighing
- Work - In Process
- Anywhere an overhead crane is used and weight readings are desired.

### Standard Features Include:

- Cast Aluminum Enclosure
- AC/Battery Operation - 20 hrs. between charges  
Includes Battery with Internal Battery Charger and External Wall Battery Charger
- Selectable Sleep Mode to Conserve Battery Power
- Weight Totalization
- Net / Gross Display Modes
- Full Range Auto Tare
- Adjustable Sample Rate
- Digital Filtering
- All Pushbutton Controls
- .56" LED Display with Selectable Brightness
- On / Off Switch
- Center of Zero Annunciator
- Lb / Kg Conversion
- Span Adjustment at Increasing or Decreasing Weights
- 1 to 5 Points of Digital Calibration
- Full Range Push Button Zero
- Auto Zero Tracking
- Adjustable Motion Detection
- 150% Safe Overload of Load Cell
- 300% Ultimate Overload of Load Cell
- Light Weight for Easy Handling and Transport. 10 - 20 lbs depending on capacity. See back page for optional ultra-tough carrying case.
- Keypad Calibration with Audit Trail

### Approvals:



COC # 11-073



MADE IN THE  
USA



Spring loaded latch on battery compartment allows quick and easy access to the battery. The Model CSW-10AT-CS Crane Scale includes battery, internal battery charger with AC adapter/cable and external wall mount charger for continuous A/C or battery operation.

Load Cell Central follows a policy of continuous improvement and reserves the right to change specifications without notice. © 2015

Load Cell Central  
28175 Route 220  
Milan, PA 18831

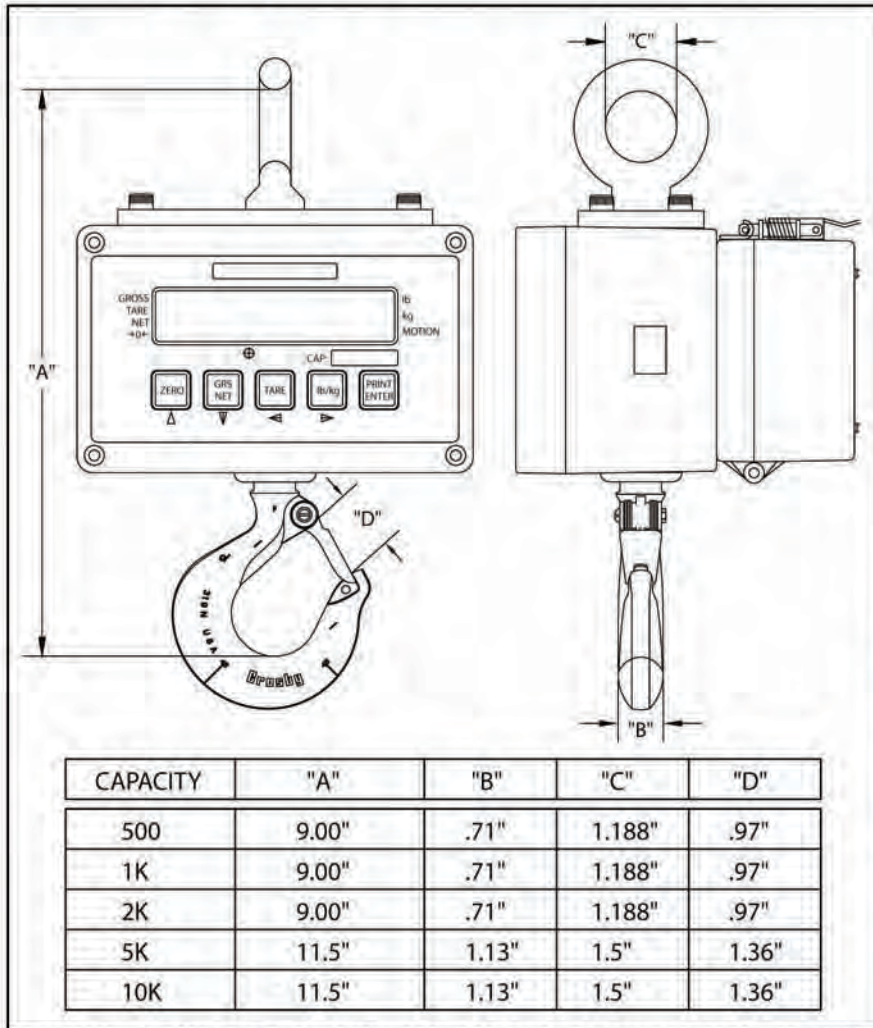
Web: [www.800loadcel.com](http://www.800loadcel.com)  
Email: [sales@800loadcel.com](mailto:sales@800loadcel.com)

Toll Free: 1-800-562-3235  
Ph: 1-570-731-7048  
Fax: 1-570-731-7054

# Load Cell Central

1-800-LOADCEL

Model Number	Capacity & Graduation	Standard Eye & Hook	Approx. Ship Weight
10AT-CS-500	500 lbs. X .1 lbs.	1/2-20 Eye / 1.5 Ton Hook	10 lbs.
10AT-CS-1K	1,000 lbs. X .2 lbs.	1/2-20 Eye / 1.5 Ton Hook	10 lbs.
10AT-CS-2K	2,000 lbs. X .5 lbs.	1/2-20 Eye / 1.5 Ton Hook	10 lbs.
10AT-CS-5K	5,000 lbs. X 1 lb.	3/4-16 Eye / 5 Ton Hook	18 lbs.
10AT-CS-10K	10,000 lbs. X 2 lbs.	3/4-16 Eye / 5 Ton Hook	20 lbs.



Dimensions subject to change without notice. Consult factory for all space restricted applications.

Includes battery, internal battery charger with AC adapter/cable and external wall mount charger for continuous A/C or battery operation.



## Options:

- Rugged Storage-Carrying Case
- Spare Battery



*Optional Rugged Storage-Carrying Case shown with optional Spare Battery*

Load Cell Central follows a policy of continuous improvement and reserves the right to change specifications without notice. © 2015

**Load Cell Central**  
28175 Route 220  
Milan, PA 18831

Web: [www.800loadcel.com](http://www.800loadcel.com)  
Email: [sales@800loadcel.com](mailto:sales@800loadcel.com)

**Toll Free: 1-800-562-3235**  
Ph: 1-570-731-7048  
Fax: 1-570-731-7054